

<b>MODEL</b> MA-FDC/2	<b>FREQUENCY ISOLATOR CONVERTER</b>
--------------------------	-------------------------------------



This is a converter to convert various types of frequency signal to DC signal. With filter circuits to remove signal noise, the MR-FDC executes correct signal transfer and is applied to a device to output pulse such volume, position control.

본 변환기는 여러 종류의 주파수 신호를 직류신호로 변환하는 변환기 입니다. 신호잡음을 제거하기위한 FILTER회로를 내장하여 정확한 신호전달을 하며, 유량 위치제어등의 PULSE 출력 기기에 적용됩니다.

### ■ GENERAL SPECIFICATION

Construction : wall mount(M4 Screw)  
 Housing material : aluminium(Black)  
 Wiring : screw terminals on housing (M3)  
 Isolation : input /output /power  
 Weight :about 500g

### ■ PERFORMANCE

Insulation resistance : greater than 100Mohm with 500V/DC  
 Dielectric strength : 1500VAC at 1 Min (input/ output/ power)  
 Line voltage effect :  $\pm 0.1\%$  over voltage range  
 Accuracy :  $\pm 0.15\%$   
 Response time : 0.5SEC/ 0~90%

### ■ INSTALLATION

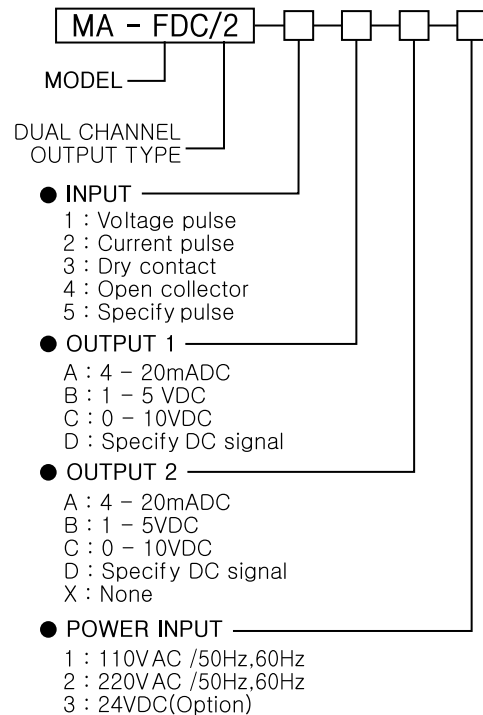
Operating temperature :  $-5\sim 55^{\circ}\text{C}$   
 Operating humidity : 30~90%RH  
 Power Input : AC-rating  $\pm 10\%$  60%  $\pm 2\text{Hz}$ , Approx. 3VA  
 DC-rating  $\pm 10\%$  (ripple 5% p-p Max)  
 approx 2.2W (90mA at 24V)

### ■ INPUT / OUTPUT

#### ● INPUT

Input range : 0~30Hz through 15KHz  
 Pulse width requirement : Duty ratio 20 ~ 80%  
 Dry contact : Mechanical contact.  
 Open collector : Semiconductor contact.  
 Voltage pulse : Square or sine wave form  
 Input Amplitude : 2 ~ 50 Vp-p  
 Input Impedance : 10Kohm Min.  
 Current pulse : Square or Sine wave form  
 Input Amplitude : 1 ~ 60mA p-p  
 Input Impedance : 100 ohm min.

### ■ MODEL & ORDER SPECIFICATION



#### ● OUTPUT

DC Current : 0 ~ 20 mA  
 Min. Span : 1 mA  
 LOAD Resistance : OUTPUT  
 - DRIVE DC 24V Max.

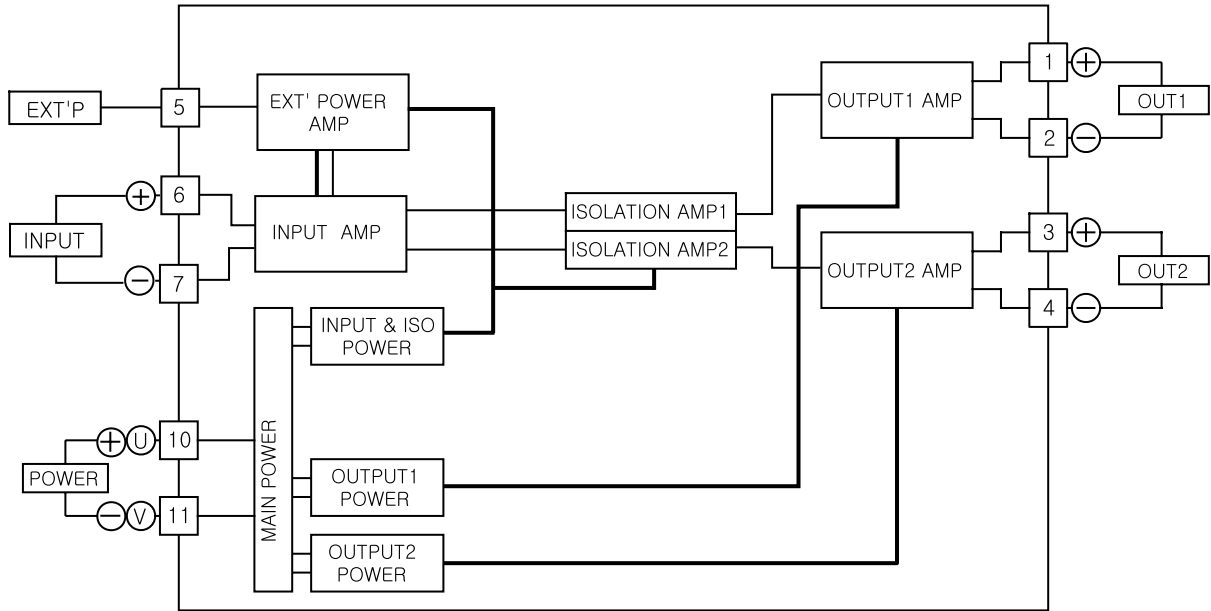
DC Voltage :  $-10 \sim +12\text{V}$   
 Min. Span : 5 mV  
 LOAD Resistance : OUTPUT  
 - DRIVE 10mA Max.

OUTPUT	Load Resistance
4 - 20mA	1200 ohm Max.
0 - 20mA	1200 ohm Max.
0 - 10mA	2400 ohm Max.

OUTPUT	Load Resistance
1 - 5 V	500 ohm Min.
0 - 10 V	1 Kohm Min.
0 - 10mV	10 Kohm Min.

**FREQUENCY ISOLATOR CONVERTER** MODEL MA-FDC/2

**■ BLOCK DIAGRAM & PIN CONNECTION**



**■ EXTERNAL DIMENSION**

