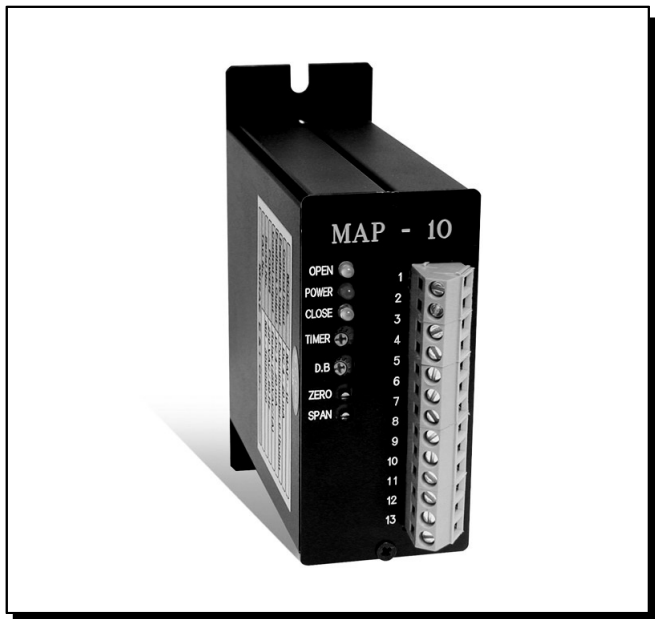


MODEL	MOTOR ELECTRONICS POSITIONER
MAP - 10	



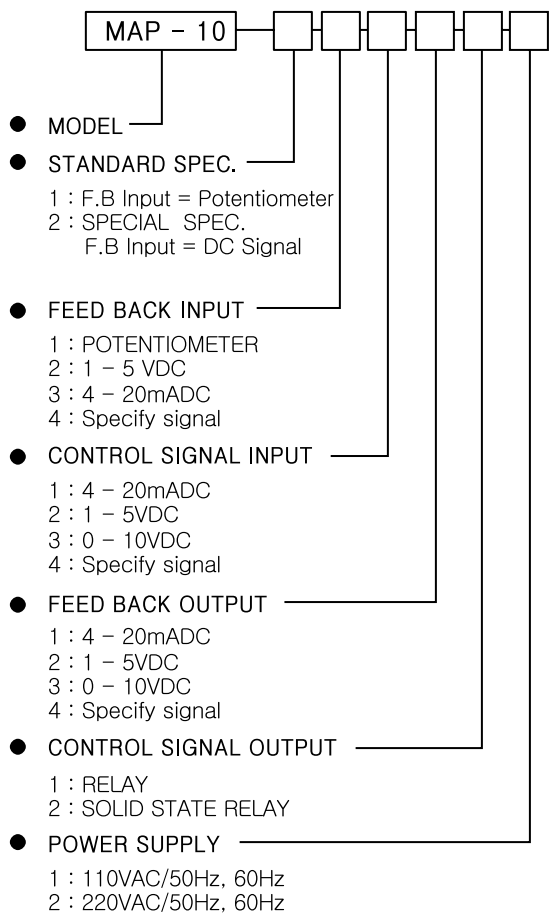
This is a proportion setting device manufactured by using up-to-date electronic technology so as to perform necessary functions such as setting of position, degree and rotation direction required for control unit for various industrial control devices.

본 기기는 각종산업용 제어장치에 요구되는 위치, 각도, 회전 방향의 설정등에 필요한 기능을 수행하도록 최신의 전자기술을 구사하여 제작된 비례설정기입니다.

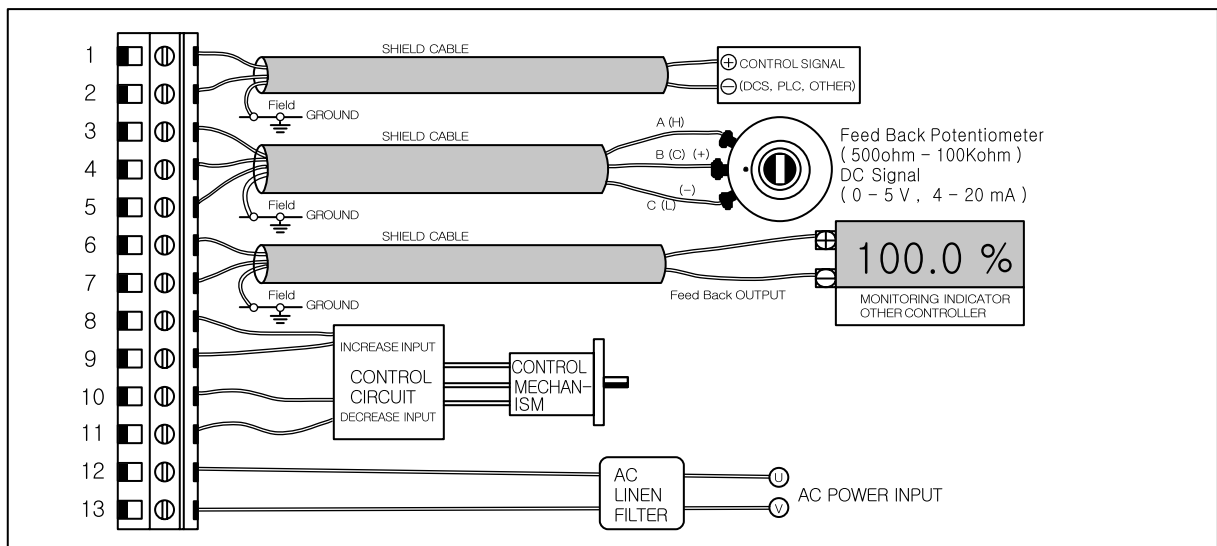
■ GENERAL SPECIFICATION

Control input signal : DC current & DC voltage
 Feedback input signal : Potentiometer & DC signal
 Feedback output signal : DC current & DC voltage (isolation)
 Control output : SSR or Relay
 Power input : AC 110/220v/60Hz (select)
 Monitoring indicator : Power (red) / Inc.(yellow) / Dec.(green)
 -LED lamp
 Timer adjustment : 0.5 ~ 15 sec.
 Deadband adjustment : 1 ~ 15 %
 Zero adjustment : 0 ~ 25 %
 Span adjustment : 75 ~ 100 %
 Construction : Rear panel mount
 Housing material : Aluminum (black)
 Isolation : Control input / Potentiometer / Feedback output /
 Control output / Power
 Weight : about 500g

■ MODEL & SPECIFICATION CODE



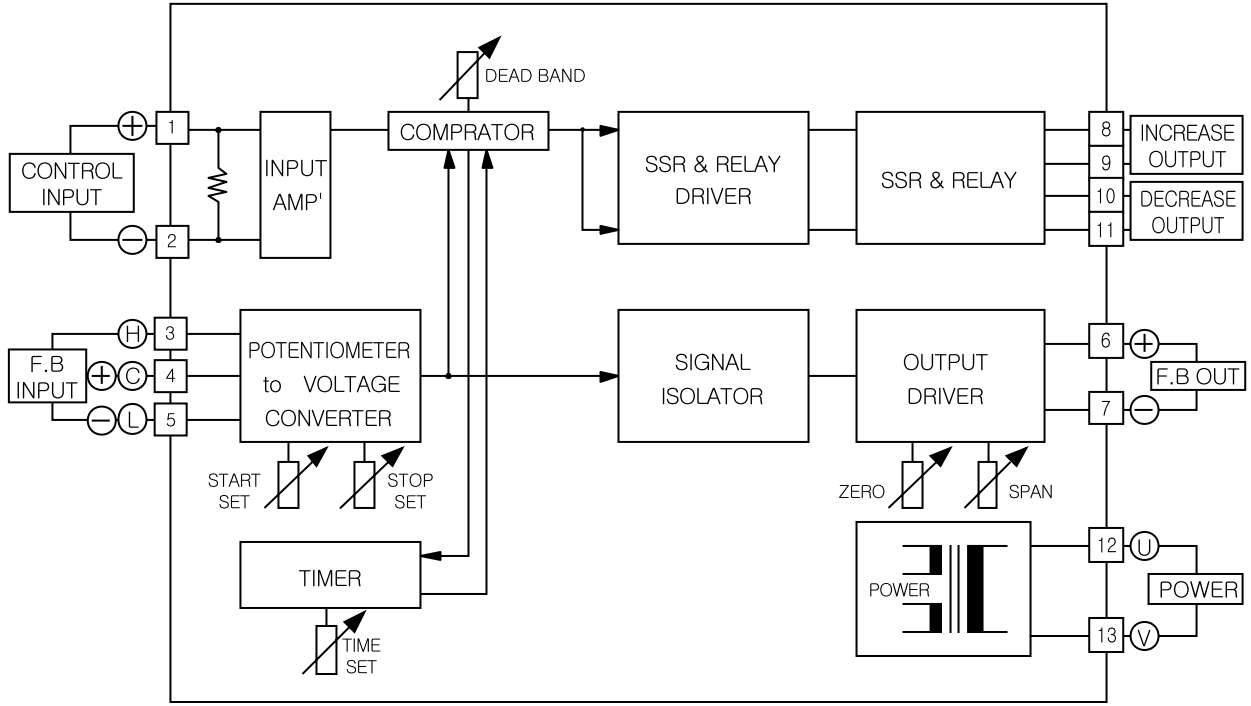
■ CONNECTION DIAGRAM



MOTOR ELECTRONICS POSITIONER

MODEL
MAP - 10

■ **BLOCK DIAGRAM & PIN CONNECTION**



■ **EXTERNAL DIMENSION**

