

MODEL MA-PMC/2	POTENTIOMETER ISOLATOR CONVERTER
--------------------------	---



This is a converter used for converting to DC signal by using input source of a potentiometer.

With built-in noise removal filter, transfers correct signal, and precision isolation circuits enable perfect signal transfer not affected by withstand insulation voltage, transfer speed, noise, etc.

본 변환기는 가변저항기(POTENTIOMETER)를 입력신호원으로 하여, 직류신호로 변환하는 목적으로 사용되는 변환기입니다.

ISOLATION 회로를 채용, 절연내압, 전달속도, NOISE 등의 영향없는 완벽한 신호변환을 가능하게 합니다.

■ GENERAL SPECIFICATION

- Construction : wall mount(M4 Screw)
- Housing material : aluminium(Black)
- Wiring : screw terminals on housing (M3)
- Isolation : input /output /power
- Weight :about 500g

■ PERFORMANCE

- Insulation resistance : greater than 100Mohm with 500V/DC
- Dielectric strength : 1500VAC at 1 Min (input/ output/ power)
- Line voltage effect : $\pm 0.1\%$ over voltage range
- Accuracy : $\pm 0.15\%$
- Response time : 0.5SEC/ 0~90%

■ INSTALLATION

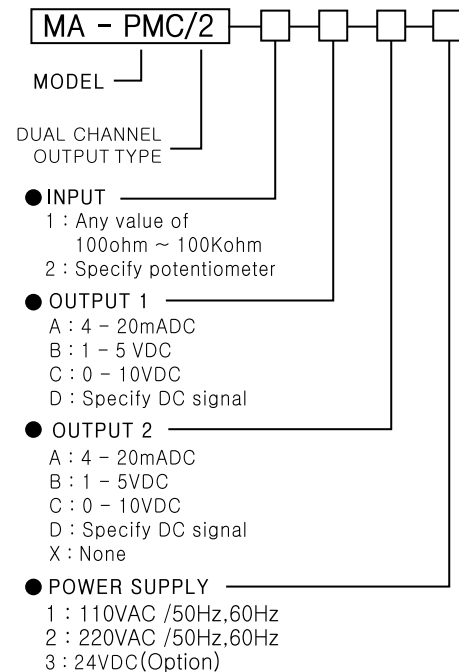
- Operating temperature : $-5\sim 55^{\circ}\text{C}$
- Operating humidity : 30~90%RH
- Power Input : AC-rating $\pm 10\%$ 60% $\pm 2\text{Hz}$, Approx. 3VA
DC-rating $\pm 10\%$ (ripple 5% p-p Max)
approx 2.2W (90mA at 24V)

■ INPUT / OUTPUT

● INPUT

- Input type : 2wire or 3wire.
- Input signal : Potentiometer(Volume).
- Input range : 100ohm ~ 2Mohm.
- EXT' power : 5VDC.

■ MODEL & ORDER SPECIFICATION



● OUTPUT

- | | |
|--|--|
| DC Current : 0 ~ 20 mA | DC Voltage : -10 ~ +12V |
| Min. Span : 1 mA | Min. Span : 5 mV |
| LOAD Resistance : OUTPUT - DRIVE DC 24V Max. | LOAD Resistance : OUTPUT - DRIVE 10mA Max. |

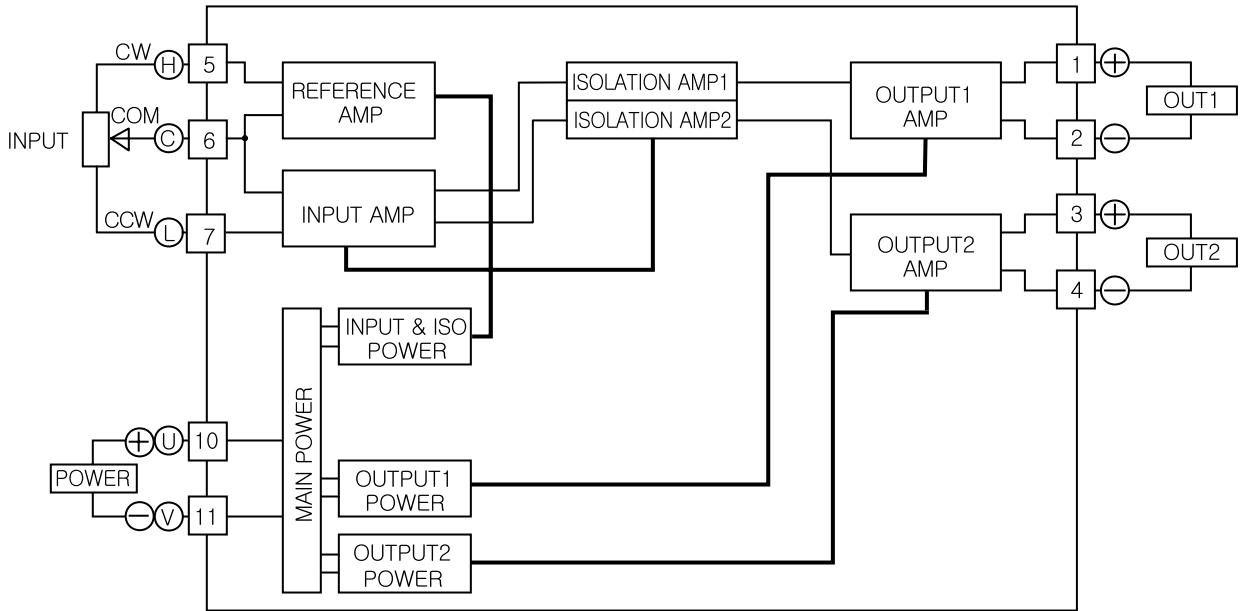
OUTPUT	Load Resistance
4 - 20mA	1200 ohm Max.
0 - 20mA	1200 ohm Max.
0 - 10mA	2400 ohm Max.

OUTPUT	Load Resistance
1 - 5 V	500 ohm Min.
0 - 10 V	1 Kohm Min.
0 - 10mV	10 Kohm Min.

POTENTIOMETER ISOLATOR CONVERTER

MODEL
MA-PMC/2

■ BLOCK DIAGRAM & PIN CONNECTION



■ EXTERNAL DIMENSION

