

MODEL MAR-24S	HIGH ENERGY(Signal/Data line use) ARRESTER
-------------------------	---------------------------------------------------



Designed specifically for 4-20mA DC and pulse signal line including 2-wire transmitters.

Absorbing surges only without affecting instrumentation signal

본제품은 각종 계장기기의 신호전송선로에 인가되는 써지, 고압노이즈, 낙뢰등의 위험적인 장애요소로 부터 현장계기 및 정밀 계측기기를 보호하는 목적으로 제작되었습니다.

FEATURES

- Small size(mm) : 75(H), 22.5(W), 102(D).
- Case & color : Gray polyamide plastic case.
- Weight : about 100g.

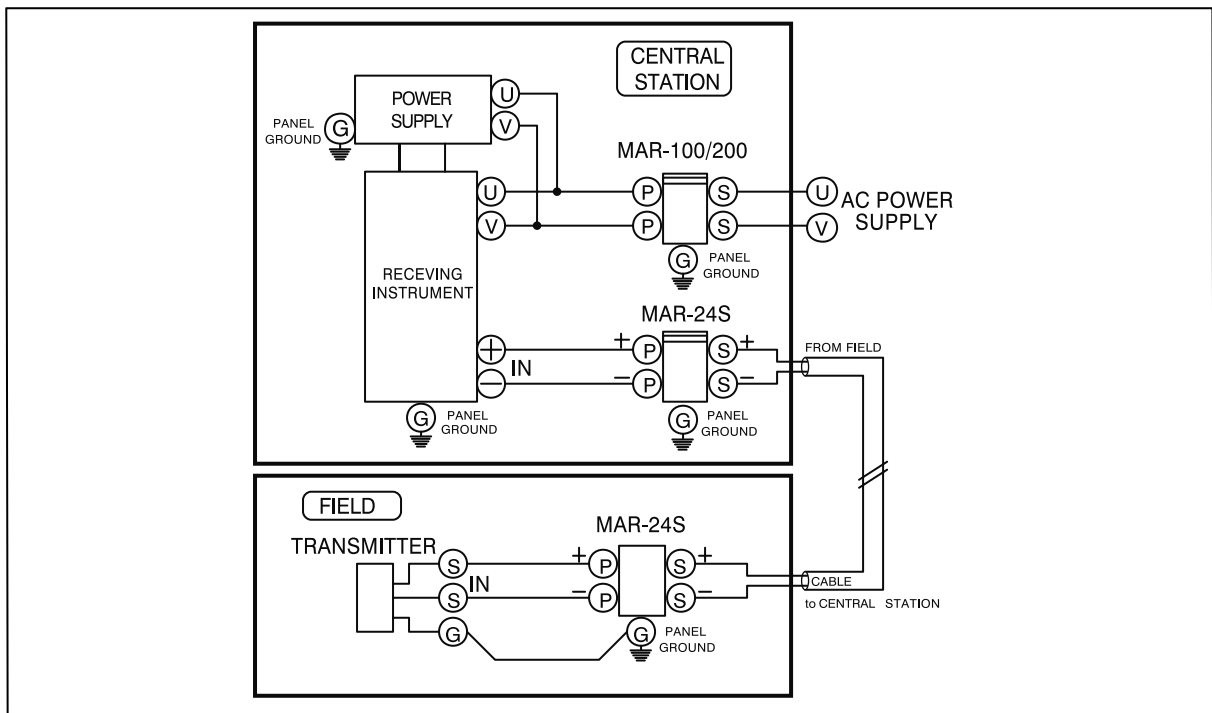
INSTALLATION

- Operating temperature : -10~+70°C
- Operating humidity : 90%RHmax.(non condensing)
- Mounting : channel mount

MODEL & SPECIFICATION CODE

- MODEL : MAR-24S
- Discharge voltage
 - between lines : 100V or more
 - between line & GND : 500V or less
- Max. surge voltage
 - 110V or less (btwn lines)
- Response time : 0.1microseconds or less
- Discharge current : 70 kA (8X20 microseconds)
- Max. load current : 5A
- Internal series resistance : Approx. 0.1ohm
- Permissible leakage current
 - between lines : 5 μ s, or less (at 100V DC)
 - between line & GND : 5 μ s, or less (at 140V DC)
- Capacity between lines : 1 μ s,
- Max. line voltage : 100V

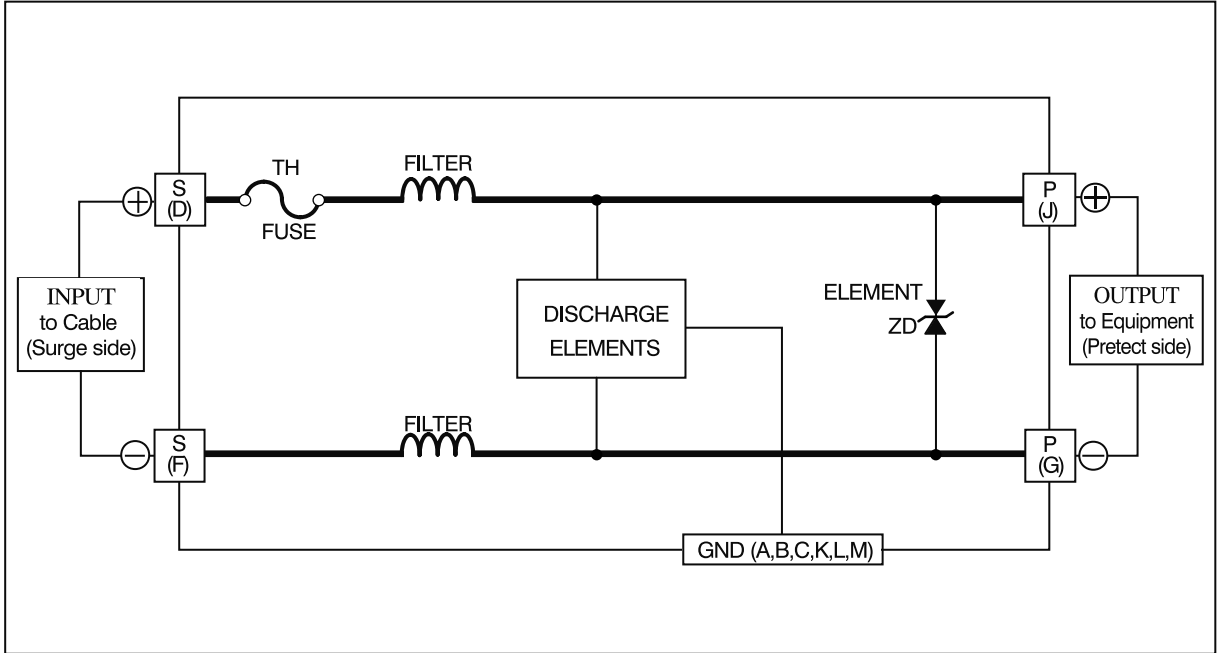
CONNECTION DIAGRAM



HIGH ENERGY(Signal/Data line use) ARRESTER

MODEL
MAR-24S

SCHEMATIC CIRCUITRY



EXTERNAL DIMENSION

DIMENSION'S (mm)

