

MODEL	SIGNAL LINE USE ARRESTER
MAR-24	



This product is manufactured to protect site instruments and precision instruments from threatened disaster factor such as surge, high-voltage noise and lightning applied to the signal line signal transmitting lines of various magnetic field instruments.

본제품은 각종 계장기기의 신호전송선로에 인가되는 써지, 고압노이즈, 낙뢰등의 위협적인 장애요소로부터 현장계기 및 정밀 계측기기를 보호하는 목적으로 제작되었습니다.

FEATURES

- Small size(mm) : 99(H), 25(W), 61(D).
- Case & color : black ABS plastic case.
- Weight : about 80g.

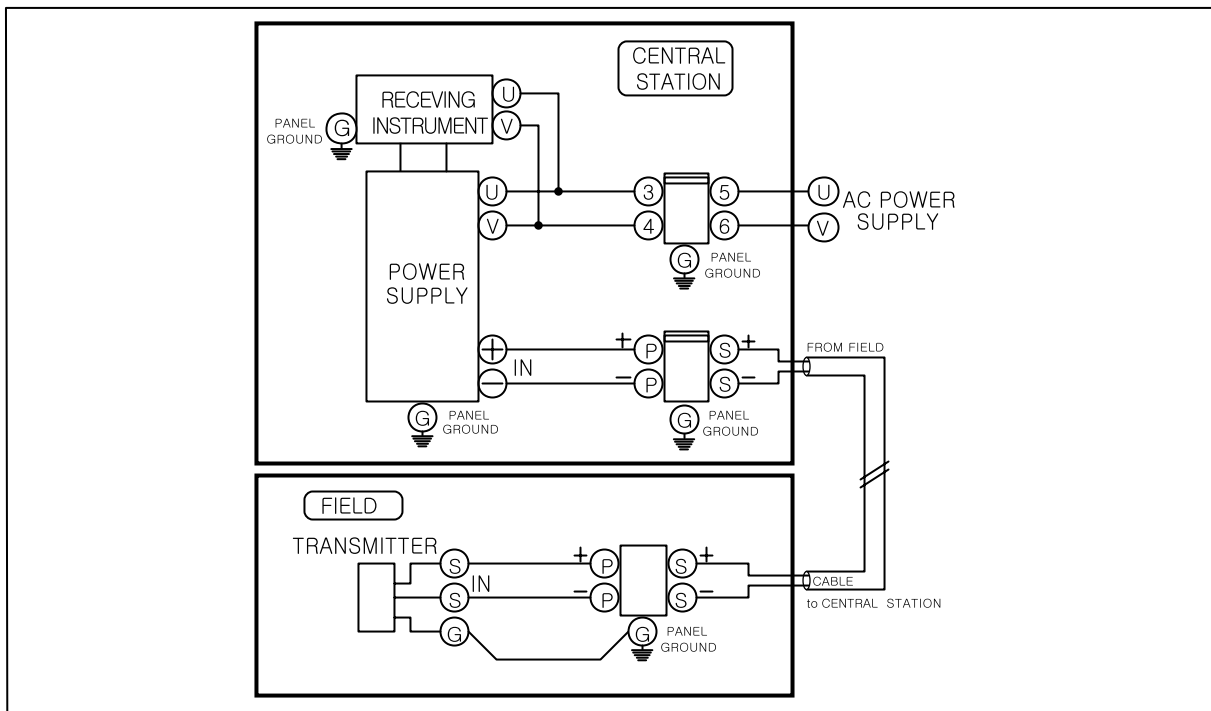
INSTALLATION

- Operating temperature : -5~+55°C
- Operating humidity : 90%RHmax.(non condensing)
- Mounting : channel mount (rail type)

MODEL & SPECIFICATION CODE

- MODEL : MAR-24
- Discharge voltage
 - between lines : 30V or more
 - between line & GND : 500V maximum
- Max. surge voltage
 - between lines : 40V maximum
- Response time : 0.1microseconds or less
- Discharge current : 10 kA (8X20 microseconds)
- Max. load current : 100mA
- Internal series resistance : Approx. 20ohm
- Permissible leakage current
 - between lines : 5 μ A or less (at 30V DC)
 - between line & GND : 5 μ A or less (at 140V DC)
- Capacity between lines : 1 μ F
- Max. line voltage : 30V

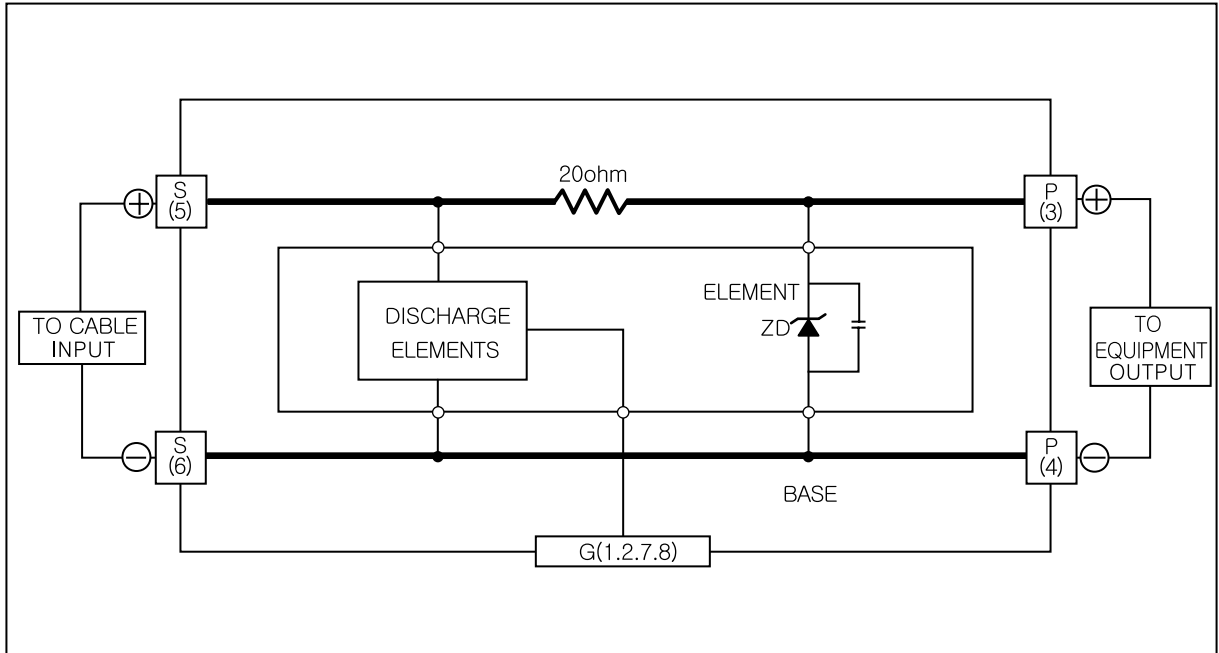
CONNECTION DIAGRAM



SIGNAL LINE USE ARRESTER

MODEL
MAR-24

■ **BLOCK DIAGRAM & PIN CONNECTION**



■ **EXTERNAL DIMENSION**

DIMENSION'S (mm)

