

MODEL
MAR-24P

PULSE LINE USE ARRESTER



This product is manufactured to protect site instruments and precision instruments from threatened disaster factor such as surge, high-voltage noise and lightning applied to the low frequency signal transmitting lines of various magnetic field instruments .

본제품은 각종 계장기기의 펄스전송선로에 인가되는 써지, 고압노이즈, 낙뢰등의 위협적인 장애요소로 부터 현장계기 및 정밀 계측기기를 보호하는 목적으로 제작되었습니다.

FEATURES

Small size(mm) : 99(H), 25(W), 61(D).
Case & color : black ABS plastic case.
Weight : about 80g.

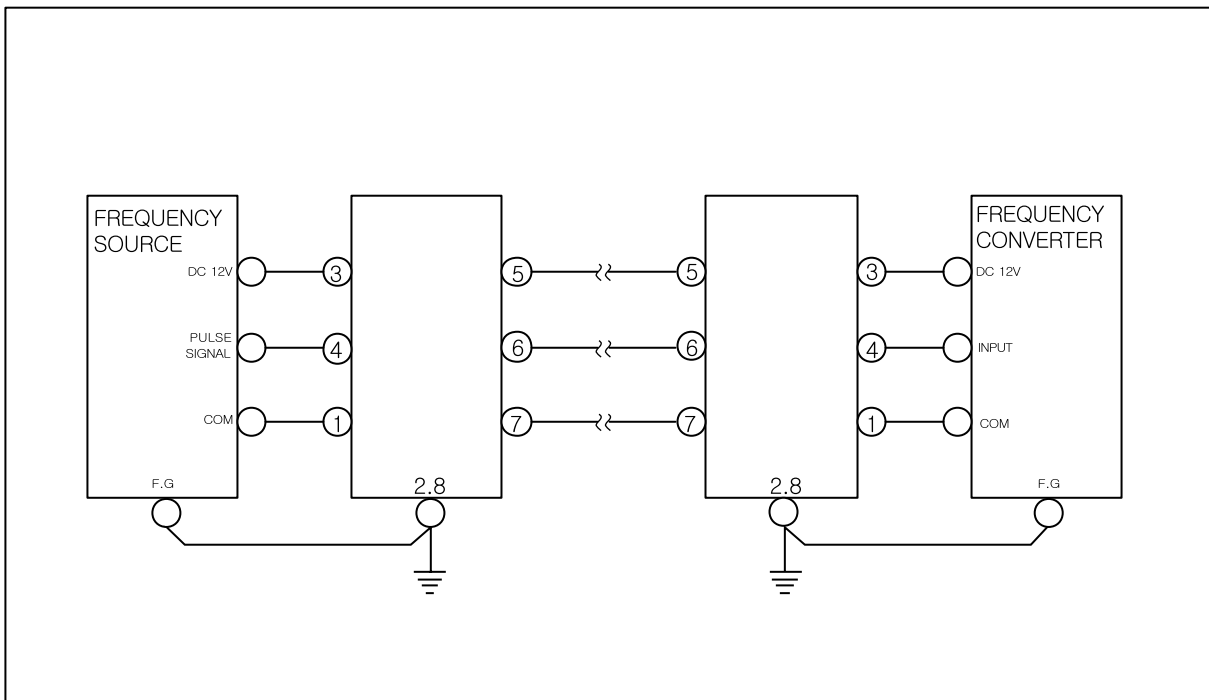
INSTALLATION

Operating temperature : $-5 \sim +55^{\circ}\text{C}$
Operating humidity : 90%RHmax.(non condensing)
Mounting : channel mount (rail type)

MODEL & SPECIFICATION CODE

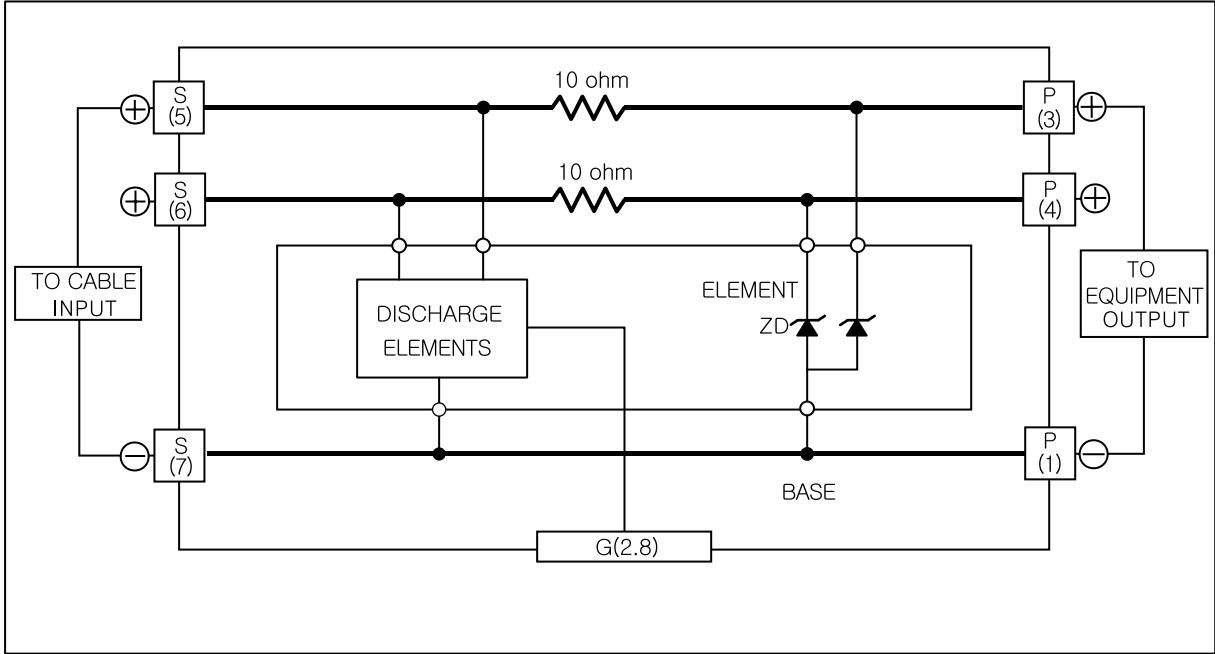
- MODEL : MAR-24P
- Discharge Voltage
between lines : 30V or more
between line & GND : 500V or less
- Max. surge voltage
between lines : 40V or less
- Response time : 0.1microseconds or less
- Discharge current : 10KA (8X20 microseconds)
- Max. load current : 100mA
- Internal series resistance : approx. 20ohm
- Permissible leakage current
between lines : $5 \mu\text{A}$ or less (at 30V DC)
between line & GND : $5 \mu\text{A}$ or less (at 140V DC)
- Max. line voltage : 30V

CONNECTION DIAGRAM



PULSE LINE USE ARRESTER	MODEL MAR-24P
--------------------------------	-------------------------

■ BLOCK DIAGRAM & PIN CONNECTION



■ EXTERNAL DIMENSION

DIMENSION'S (mm)

