

MODEL MAR-100/200	AC/DC POWER LINE USE ARRESTER
-----------------------------	--------------------------------------



This production be fabricated for the purpose of protection of the field instruments and /or the fine measuring equipments from the dangerous cause like surge, noise of high voltage and thunderbolt which can be applied to the power transmission line of instrumentation equipments.

본제품은 각종 계장기기의 전원전송선로에 인가되는 써지, 고압 노이즈, 낙뢰등의 위협적인 장애요소로부터 현장계기 및 정밀 계측기기를 보호하는 목적으로 제작되었습니다.

■ FEATURES

Small size(mm) : 99(H), 25(W), 61(D).
Case & color : black ABS plastic case.
Weight : about 80g.

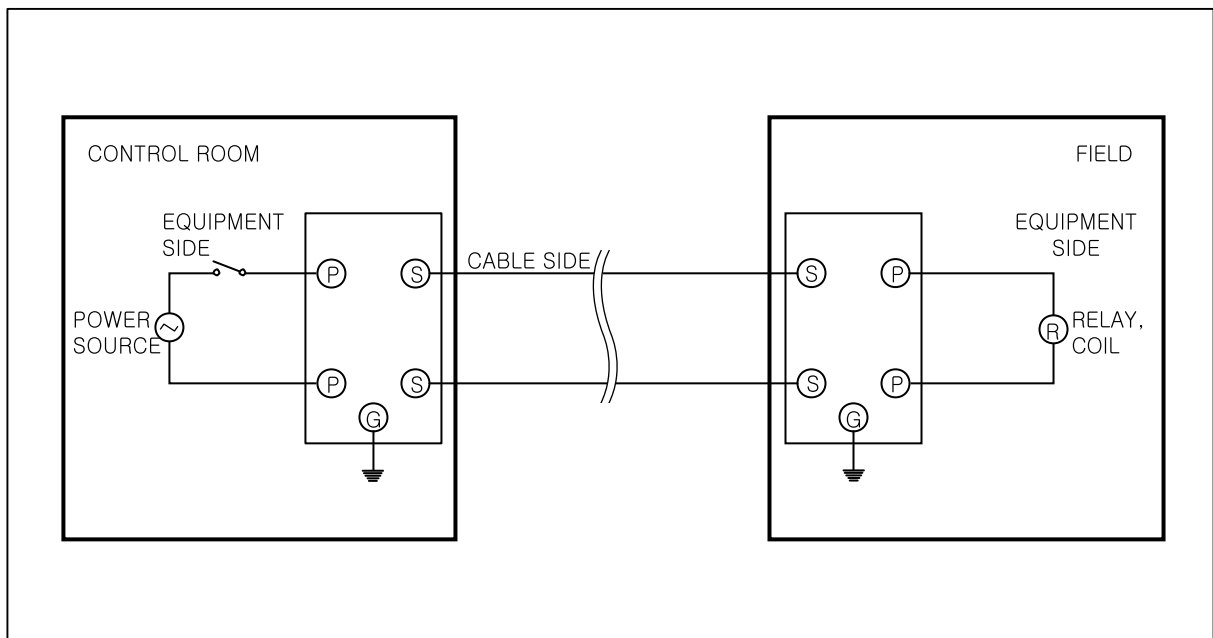
■ INSTALLATION

Operating temperature : -5~+55'C
Operating humidity : 90%RHmax.(non condensing)
Mounting : channel mount (rail type)

■ MODEL & SPECIFICATION CODE

- MODEL : MAR-100/200
- Discharge voltage
between lines : 190V / 410V or more (peak)
between line & GND : 410V or more (peak)
- Max. surge voltage
between lines : 400V / 800V
between line & GND : 800V
- Response time : 0.1microseconds or less
- Discharge current : 10KA (8X20 microseconds)
- Max. load current : 2.0A
- Internal series resistance : approx. 0.4ohm
- Promissible Leakage Current
between lines : 0.1mA or less (at 150V DC)
between line & GND : 0.1mA or less (at 300V DC)
- Capacity between lines : 1 μ F
- Max. line voltage : 120V AC / 170V DC(MAR-100)
- Max. line voltage : 250V AC / 350V DC(MAR-200)

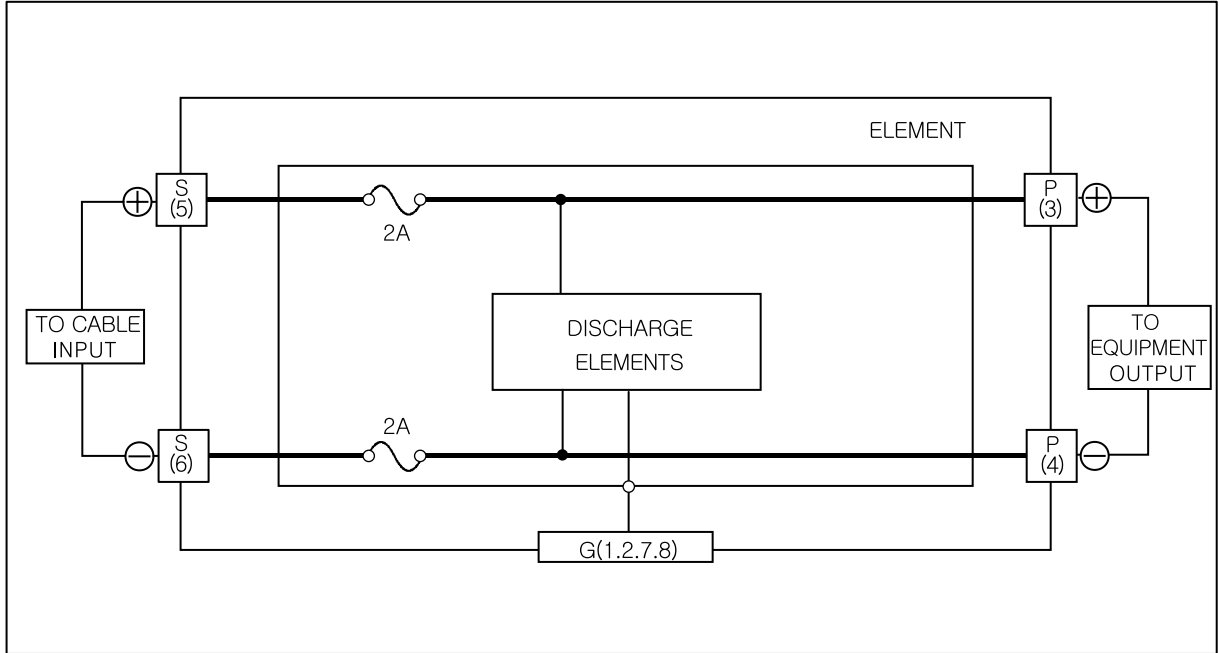
■ CONNECTION DIAGRAM



AC/DC POWER LINE USE ARRESTER

MODEL
MAR-100/200

■ **BLOCK DIAGRAM & PIN CONNECTION**



■ **EXTERNAL DIMENSION**

DIMENSION'S (mm)

