

MODEL MA-RTD/2	RTD TEMP' ISOLATOR CONVERTER
--------------------------	-------------------------------------



This is a converter to convert to DC signal from the RTD temperature sensor. This is equipped with a linear type of compensation circuit and compensates for non-linear error of the sensor, and enables perfect signal conversion not affected by withstand insulation voltage, transfer speed and noise, etc by adopting precision isolation circuits.

본 변환기는 RTD 온도 SENSOR로부터 직류신호로 변환하는 변환기입니다.
직선성 보상회로를 내장하여, SENSOR의 비직선 오차를 보상하였으며, ISOLATION 회로를 채용, 절연내압, 전달속도, NOISE등의 영향없는 완벽한 신호변환을 가능하게 합니다.

■ GENERAL SPECIFICATION

Construction : wall mount(M4 Screw)
Housing material : aluminium(Black)
Wiring : screw terminals on housing (M3)
Isolation : input /output /power
Weight : about 500g

■ PERFORMANCE

Insulation resistance : greater than 100Mohm with 500V/DC
Dielectric strength : 1500VAC at 1 Min (input/ output/ power)
Line voltage effect : $\pm 0.1\%$ over voltage range
Accuracy : $\pm 0.15\%$
Response time : 0.5SEC/ 0~90%

■ INSTALLATION

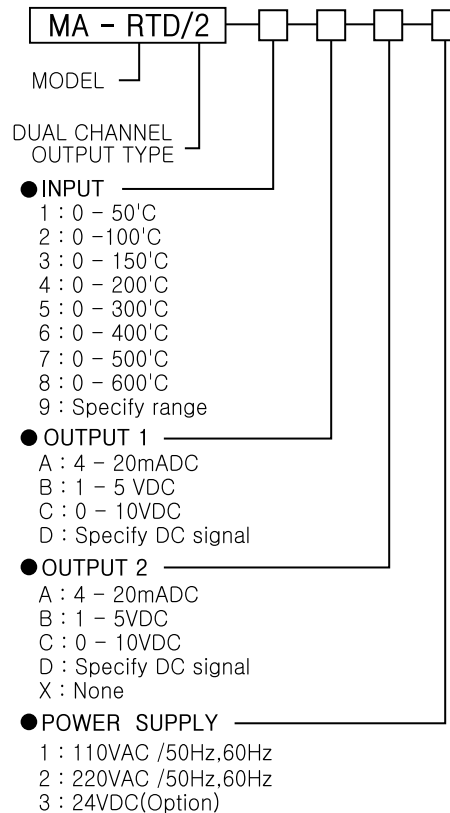
Operating temperature : $-5\sim 55^{\circ}\text{C}$
Operating humidity : 30~90%RH
Power Input : AC-rating $\pm 10\%$ 60 % $\pm 2\text{Hz}$, Approx. 3VA
DC-rating $\pm 10\%$ (ripple 5% p-p Max)
approx 2.2W (90mA at 24V)

■ INPUT / OUTPUT

● INPUT

Input Type : 3wire Type.
Input Signal : Pt50ohm or Pt100ohm.
Input Range : $-200 \sim 600^{\circ}\text{C}$.
EXT' Power: 1.5mA/5VDC.

■ MODEL & ORDER SPECIFICATION



● OUTPUT

DC Current : 0 ~ 20 mA	DC Voltage : $-10 \sim +12\text{V}$
Min. Span : 1 mA	Min. Span : 5 mV
LOAD Resistance : OUTPUT - DRIVE DC 24V Max.	LOAD Resistance : OUTPUT - DRIVE 10mA Max.

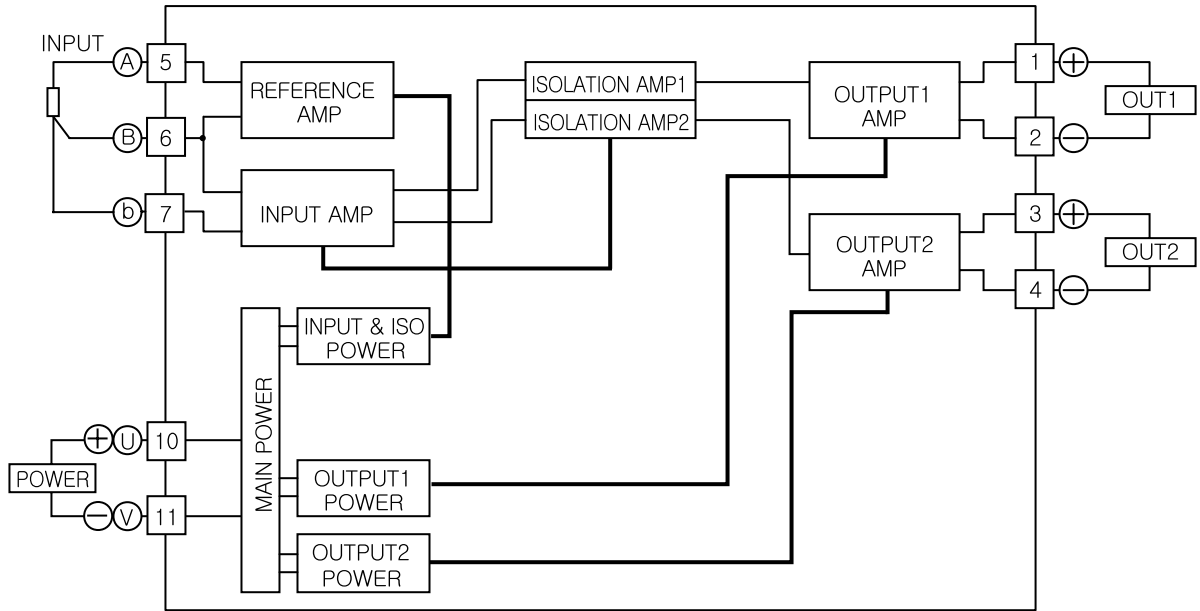
OUTPUT	Load Resistance
4 - 20mA	1200 ohm Max.
0 - 20mA	1200 ohm Max.
0 - 10mA	2400 ohm Max.

OUTPUT	Load Resistance
1 - 5 V	500 ohm Min.
0 - 10 V	1 Kohm Min.
0 - 10mV	10 Kohm Min.

RTD TEMP' ISOLATOR CONVERTER

MODEL
MA-RTD/2

■ BLOCK DIAGRAM & PIN CONNECTION



■ EXTERNAL DIMENSION

