

MODEL	<b>MODEM LINE USE ARRESTER</b>
MAR-TM	



This product is manufactured to protect site instruments and precision instruments from threatened disaster factor such as surge, high-voltage noise and lightning applied to the data modem signal transmitting lines of various magnetic field instruments.

본 제품은 각종 계장기기의 모뎀 전송선로에 인가되는 써지, 고압노이즈, 낙뢰등의 위협적인 장애요소로부터 현장계기 및 정밀 계측기기를 보호하는 목적으로 제작되었습니다.

### ■ FEATURES

Small size(mm) : 99(H), 25(W), 61(D).  
 Case & color : black ABS plastic case.  
 Weight : about 80g.

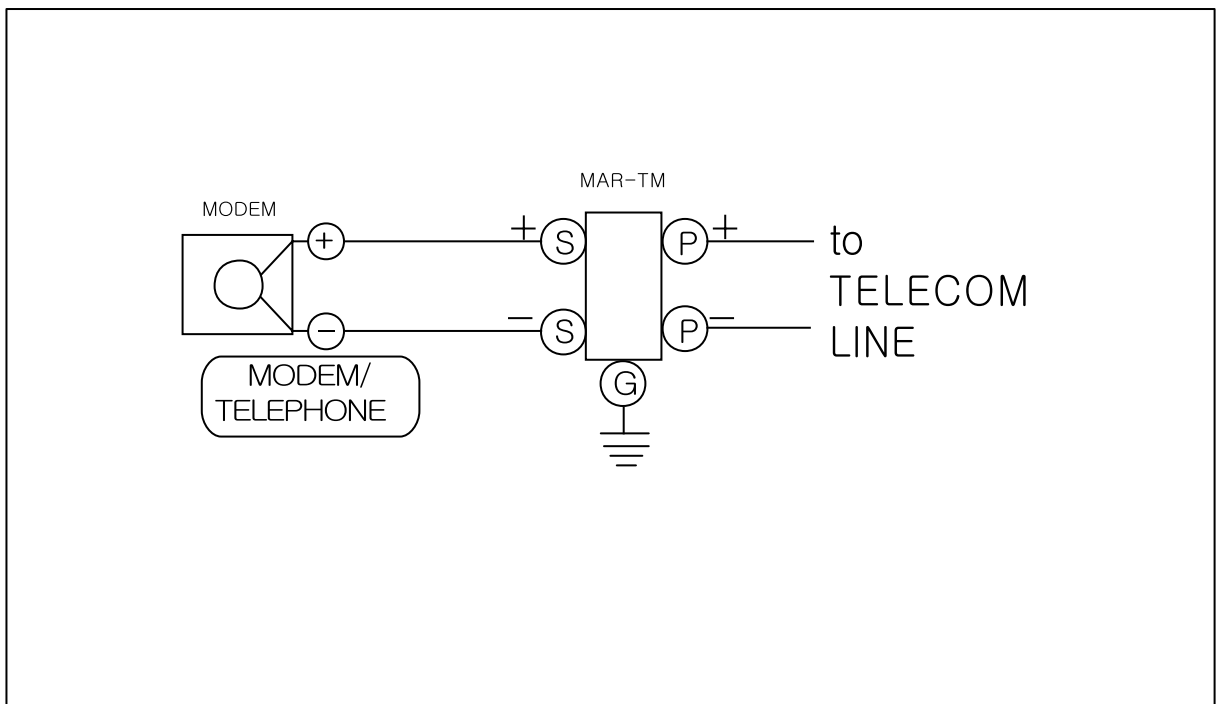
### ■ INSTALLATION

Operating temperature : -5~+55'C  
 Operating humidity : 90%RHmax.(non condensing)  
 Mounting : channel mount (rail type)

### ■ MODEL & SPECIFICATION CODE

- MODEL : MAR-TM
- Discharge voltage  
 between lines : 270V/DC or more  
 between line & GND : 350V/DC maximum
- Max. surge voltage  
 between lines : 650V maximum
- Response time : 0.1microseconds or less
- Discharge current : 10 KA (8X20 microseconds)
- Max. load current : 500mA
- Internal series resistance : approx. 0.1ohm
- Permissible leakage current  
 between lines : 100  $\mu$ A or less (at 160V DC)  
 between line & GND : 100  $\mu$ A or less (at 160V DC)

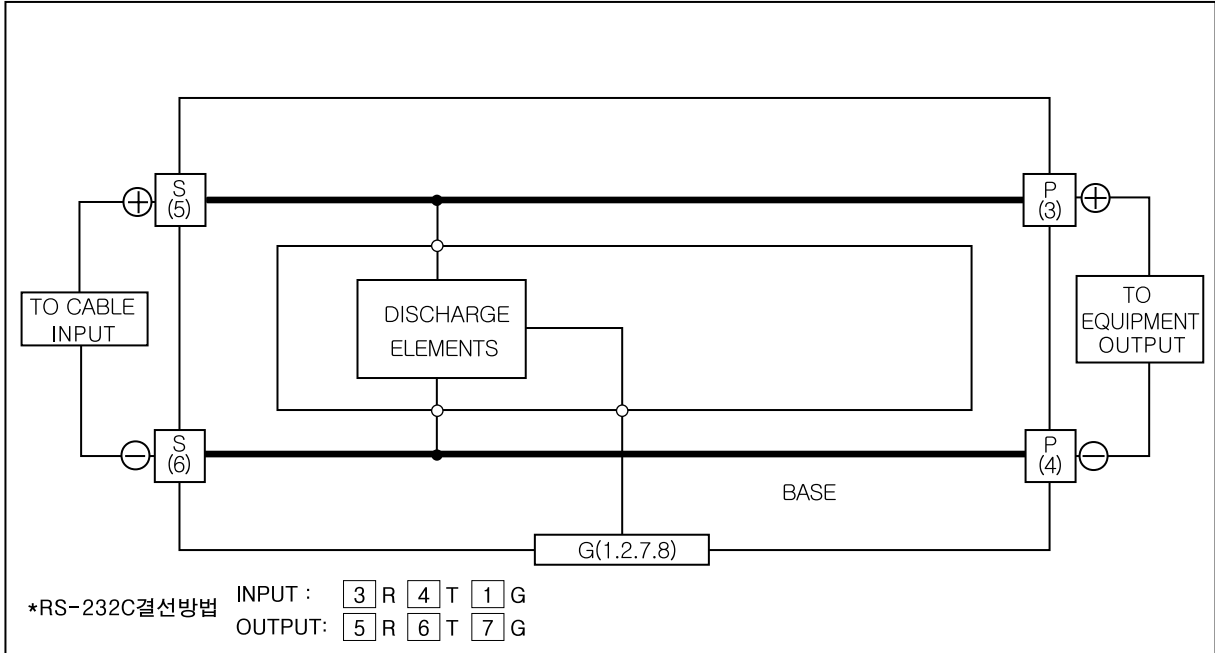
### ■ CONNECTION DIAGRAM



# MODEM LINE USE ARRESTER

MODEL  
MAR-TM

## ■ BLOCK DIAGRAM & PIN CONNECTION



## ■ EXTERNAL DIMENSION

DIMENSION'S (mm)

