

MODEL MR-DAS	DIGITAL ALARM SET CONVERTER
-----------------	------------------------------------



This is a converter used for requiring contact output in Response of 2Point(H/L) or 4Point(H.H/H/L/L.L) setting values At 2Point or 4Point by inputting Signal (DC signal , RTD, T/C, Potentiometer)

SIGNAL(DC Signal, RTD, T/C, Potentiometer등)을 입력으로 하여 2 Point(H/L) 또는 4Point(H.H / H/ L/ L.L) 설정 값에 대응한 접점출력을 필요로 하는 목적에 사용되는 DIGITAL형식의 변환기 입니다.

■ FEATURES

Small size(mm) : 83(H), 51(W), 102(D)
 Isolation : input to output to power supply
 Power supply : AC or DC supply
 Wiring : terminal socket wiring
 Case & color : black ABS plastic case
 Weight : about 400g

■ DISPLAY

Type : 4digit FND
 Display font : red super bright
 Display function : input or percent(%)
 Display error : 1digit(LSB)

■ INPUT SIGNAL SPECIFICATION

- **DC SIGNAL INPUT**
 Input voltage signal : -300~300VDC
 Input voltage impedance : 1Mohm min.
 Input current signal : 30mAdc max
 Input current load resistance : 100ohm max.(at 20mA)
- **RTD SENSOR INPUT**
 Input type : 3wire type
 Input signal : PT100ohm , PT1000ohm
 Input range : -200~850°C
 Ext current : 1mADC max.
- **THERMOCOUPLE SENSOR INPUT**
 Input type : R, K, E, J, T, B, S, N, C, etc
 Input range : -200 ~ 2300°C
 Input impedance : 1Mohm min
 Cold junction temperature range : 0-80°C
- **POTENTIOMETER INPUT**
 Input type : 2wire or 3wire
 Input signal : potentiometer(volume)
 Input range : 100ohm – 2Mohm
 Ext power : 0.5V ~ 2VDC

■ OUTPUT CONTACT SPECIFICATION

Output contact : Dry contact
 Contact rate : 250VAC@3A, 30VDC@3A

■ OUTPUT SIGNAL SPECIFICATION

Output voltage signal : 12VDC max.
 Output voltage impedance : 2Kohm min.
 Output voltage noise : 10mVp-p max.
 Output current signal 30mA DC max.
 Output current load resistance : 750ohm max.
 Output current noise (250ohm load) : 10mVp-p max.

VOLTAGE OUTPUT		CURRENT OUTPUT	
OUTPUT	IMPEDANCE	OUTPUT	LOAD-R
0 – 1VDC	>1Kohm	0 – 1mADC	<15Kohm
0 – 5VDC	>2Kohm	0-20mADC	<750ohm
1 – 5VDC	>2Kohm	1 – 5mA DC	<3Kohm
0 – 10VDC	>4Kohm	4-20mADC	<750ohm

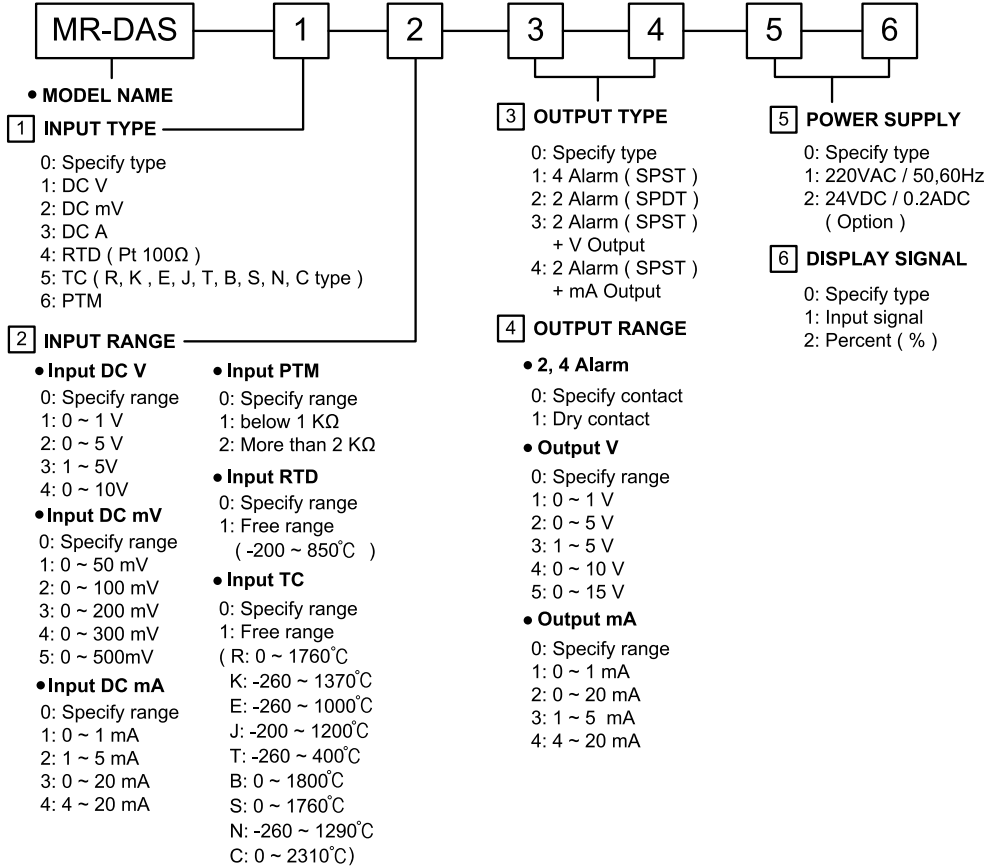
■ GENERAL SPECIFICATION

Operating ambient temperature : 0~50°C
 Non operating ambient temperature : -20~80°C
 Temperature coefficient : 0.015%/°C
 Operating ambient humidity:90%RHmax.(non condensing)
 Insulation resistance : greater than 100Mohm with 500VDC.
 Dielectric strength : 1500VAC@1minute(input to output to power)
 Conversion accuracy : 0.15%max
 Response time : 0-90%(0.5sec)

DIGITAL ALARM SET CONVERTER

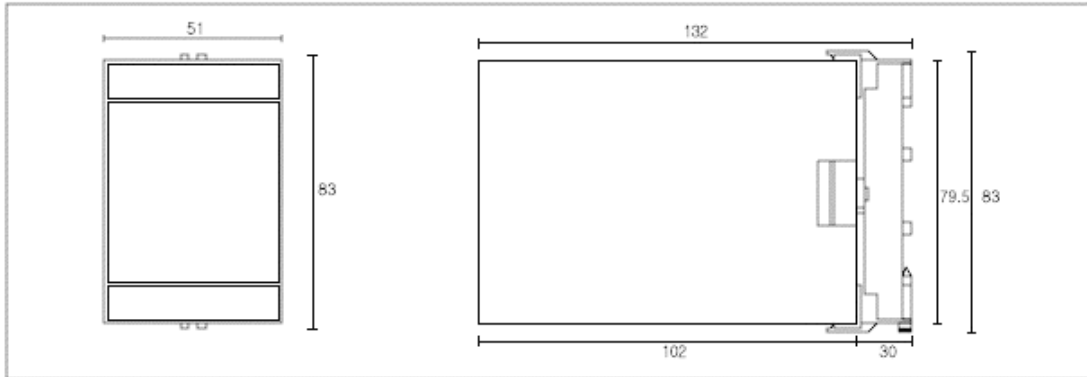
MODEL
MR - DAS

MODEL & SPECIFICATION CODE

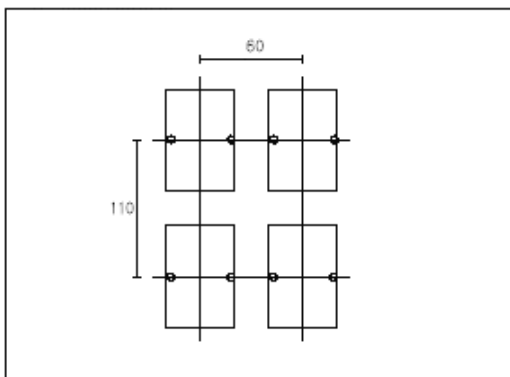


EXTERNAL DIMENSION, TERMINAL ARRANGEMENT & MOUNTING SPACE

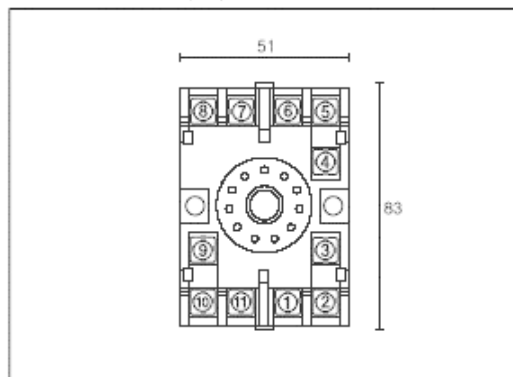
DIMENSION S (mm)



MOUNTING SPACE (mm)

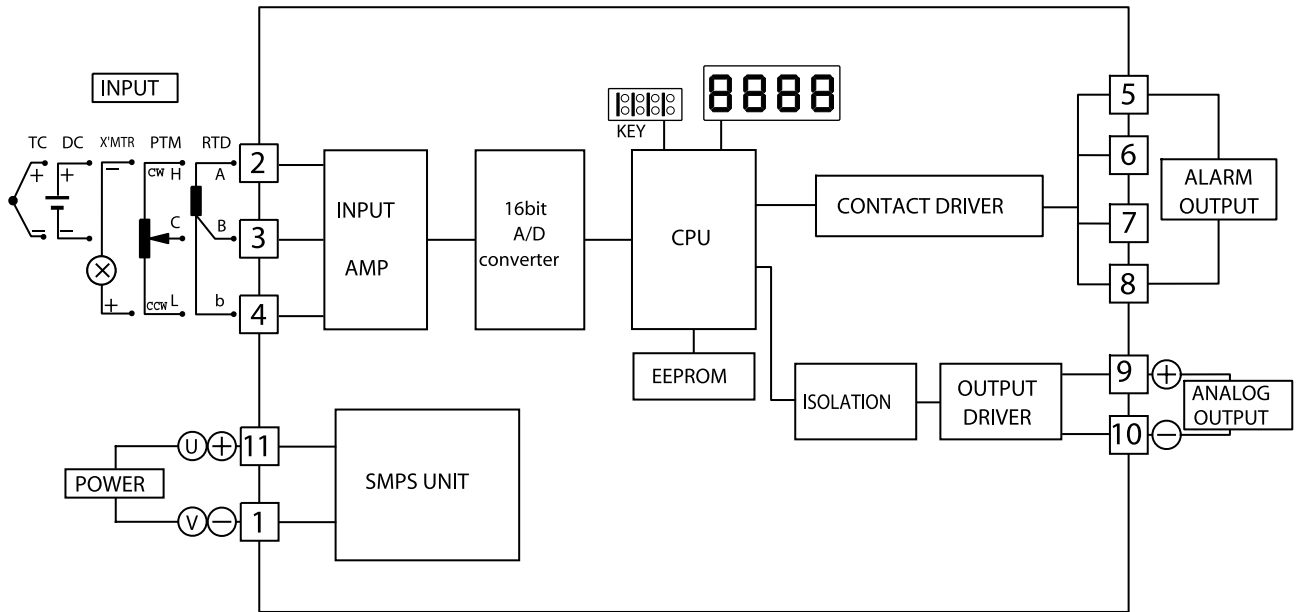


SOCKET DIMENSION S (mm) & TERMINAL ARRANGEMENT



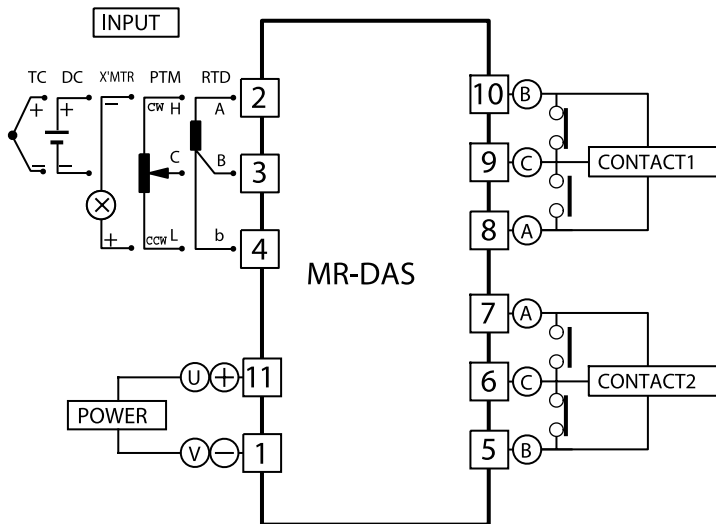
MODEL MR-DAS	DIGITAL ALARM SET CONVERTER
-----------------	------------------------------------

■ **BLOCK DIAGRAM**



■ **PIN CONNECTION**

1) ALARM 2POINT OUTPUT (2Form C)



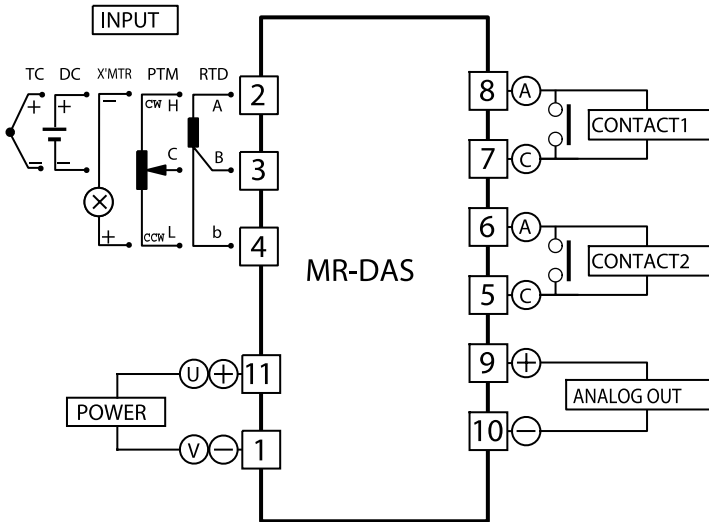
TYPE	H / L	H / H	L / L
MODE	-HL-	-HH-	-LL-
Contact1	HIGH	H.HIGH	LOW
Contact2	LOW	HIGH	L.LOW

DIGITAL ALARM SET CONVERTER

MODEL

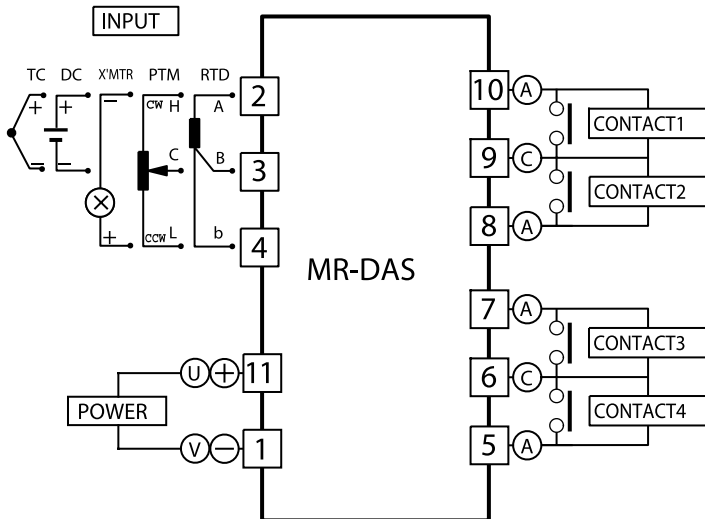
MR-DAS

2) ALARM 2POINT OUTPUT (2Form A) & ANALOG OUTPUT



TYPE	H/L	H/H	L/L
MODE	<u>HL</u>	<u>HH</u>	<u>LL</u>
Contact1	HIGH	H.HIGH	LOW
Contact2	LOW	HIGH	L.LOW

3) ALARM 4POINT OUTPUT (4Form A)



TYPE	H2/L2	H4	L4	H3/L1	H1/L3
MODE	<u>HHLL</u>	<u>HHHH</u>	<u>LLLL</u>	<u>HHHL</u>	<u>HLLL</u>
Contact1	H.H	HHH.H	L	HH.H	H
Contact2	H	HH.H	L.L	H.H	L
Contact3	L	H.H	LL.L	H	L.L
Contact4	L.L	H	LLL.L	L	LL.L