

MODEL

MR - 600C

## 6 CH ISOLATION SIGNAL DISTRIBUTOR



This is a converter used to transfer or convert six DC signals of the DC signals, RTD sensor, Potentionmeter, etc, as input signal source. This product is featured to interrupt excessively input with arrester function equipped with input circuits, and stability of signal transmitted to instruments at the rear as well as protection of product.

본 변환기는 직류신호, RTD SENSOR, 가변저항등을 입력원으로 하여, 6개의 직류신호를 출력하는 목적으로 사용되는 변환기입니다.

### FEATURES

Small size(mm) : 135(H), 61(W), 162(D).  
Isolation : Input to Output to Power .  
Power supply : AC or DC supply.  
Housing material : aluminum (black)  
Weight : about 900g

### INPUT SIGNAL

DC Current / Voltage.  
Potentiometer  
RTD (JPT,DPT, CU, NI) Sensor.

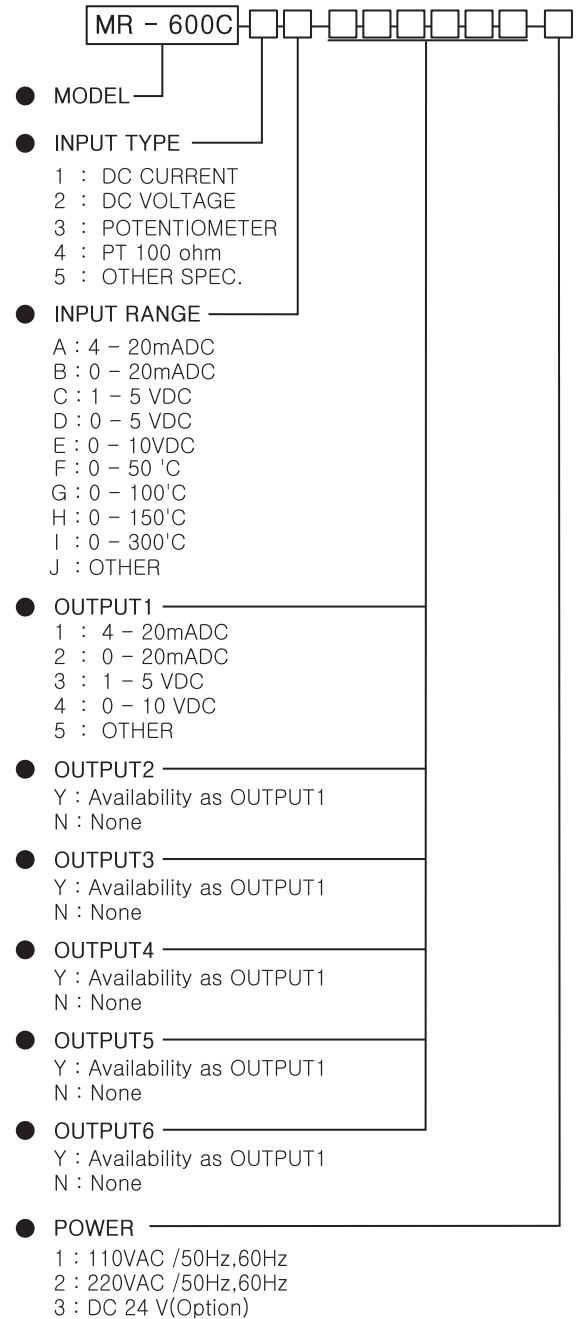
### OUTPUT SIGNAL

DC Current / DC Voltage

### GENERAL SPECIFICATION

Zero adjustment : -10 ~ +10 %  
Span adjustment : 90 ~ 110 %  
Power regulation : rating  $\pm$  10 %  
Operating temperature : -5 ~ 55°C  
Operating humidity : 30 ~ 90 % RH  
Accuracy :  $\pm$ 0.15%  
Insulation resistance : greater than 100 Mohm with 500V/DC  
Dielectric strength : 1500VAC at 1Min (input/output/power)  
Construction : rear panel mount  
Mounting : screw Mount  
Response time : 0 ~ 90 % /0.5sec.

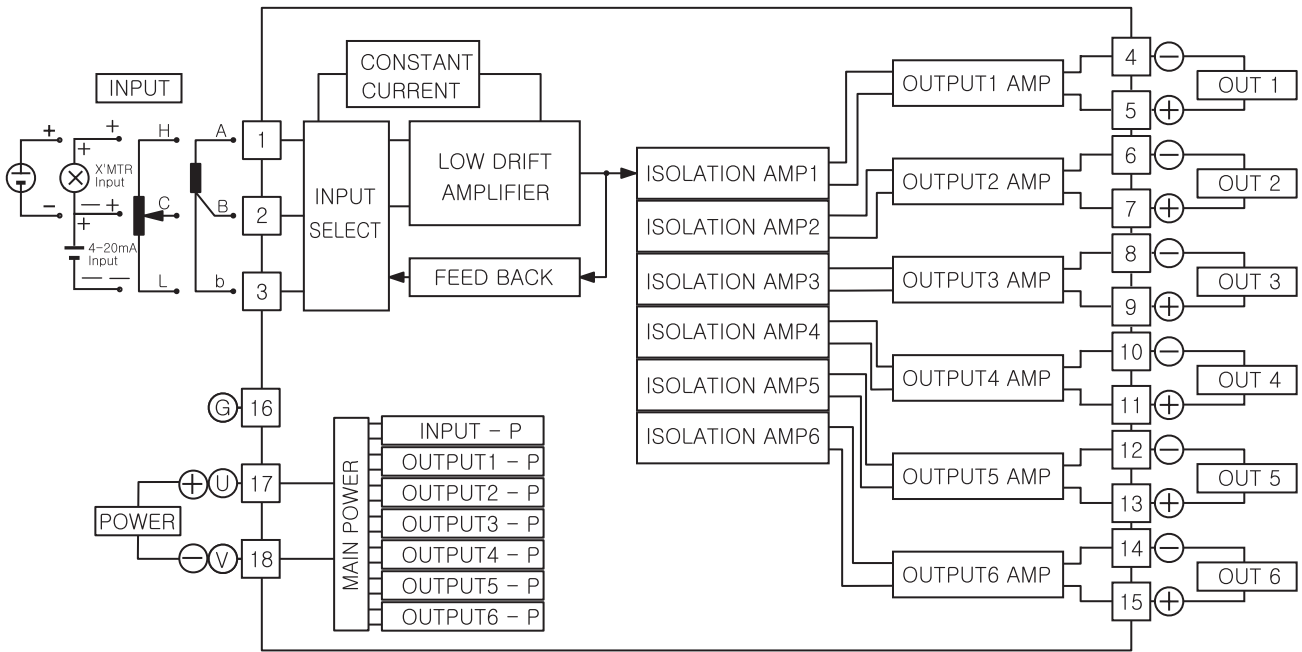
### MODEL & SPECIFICATION CODE



## 6 CH ISOLATION SIGNAL DISTRIBUTOR

MODEL  
 MR - 600C

### ■ BLOCK DIAGRAM & PIN CONNECTION



### ■ EXTERNAL DIMENSION

