

MODEL
MR - ADD **DISPLAY & DC ADD SIGNAL ISOLATION CONVERTER**



This is a converter to output average summed values of both signals by using two types of DC signal as input signal source.

With built-in noise removal filter, transfers correct signal, and precision isolation circuits enable perfect signal transfer not affected by withstand insulation voltage, transfer speed, noise, etc.

본 변환기는 2 종류의 직류신호를 입력원으로 하여 두신호의 가산된 평균값을 출력하는 변환기입니다. 고정밀 절연회로를 채용하여 절연내압, 전송속도, 주변잡음등의 영향없는 완벽한 신호전달을 가능하게 합니다.

FEATURES

Small size(mm) : 83(H), 51(W), 102(D).
Isolation : input to output to power supply.
Power supply : AC or DC supply.
Wiring : terminal socket wiring.
Case & color : black ABS plastic case.
Weight : about 400g

INPUT SIGNAL SPECIFICATION

Input voltage signal(A or B) : -300 ~ 300VDC.
Input voltage impedance : 1Mohm min.
Input current signal(A or B) : 30mADC max.
Input current resistance : 100ohm max. (at 20mA)

OUTPUT SIGNAL SPECIFICATION

Output voltage signal : 12VDC max.
Output voltage impedance : 2Kohm min.
Output voltage noise : 10mV p-p max.
Output current signal : 30mADC max.
Output load resistance : 750ohm max.
Output current noise(250ohm load) : 10mV p-p.

OUTPUT	IMPEDANCE	OUTPUT	LOAD - R
0 - 1VDC	> 1Kohm	0 - 1mA	< 15Kohm
0 - 5VDC	> 2Kohm	0 - 20mA	< 750ohm
1 - 5VDC	> 2Kohm	1 - 5mA	< 3Kohm
0 - 10VDC	> 4Kohm	4 - 20mA	< 750ohm

GENERAL SPECIFICATION

Operating ambient temperature : 0 - 50°C.
Non operating ambient temperature : -20 ~ 80°C.
Temperature coefficient : 0.015%/°C.
Operating ambient humidity : 90% RH max.(non condensing)
Insulation resistance : greater than 100Mohm with 500VDC.
Dielectric strength : 1500VAC @ 1minute
(input to output to power).
Adjustment range : 20% (zero & span) min.
Conversion accuracy : 0.15% max.
Response time : 0 - 90%(0.5sec).

DISPLAY (OPTION)

Type : 3 digit FND
Display font : red super bright
Display function : input or output or percent(%).
Display error : 1digit(LSB).

MODEL & SPECIFICATION CODE

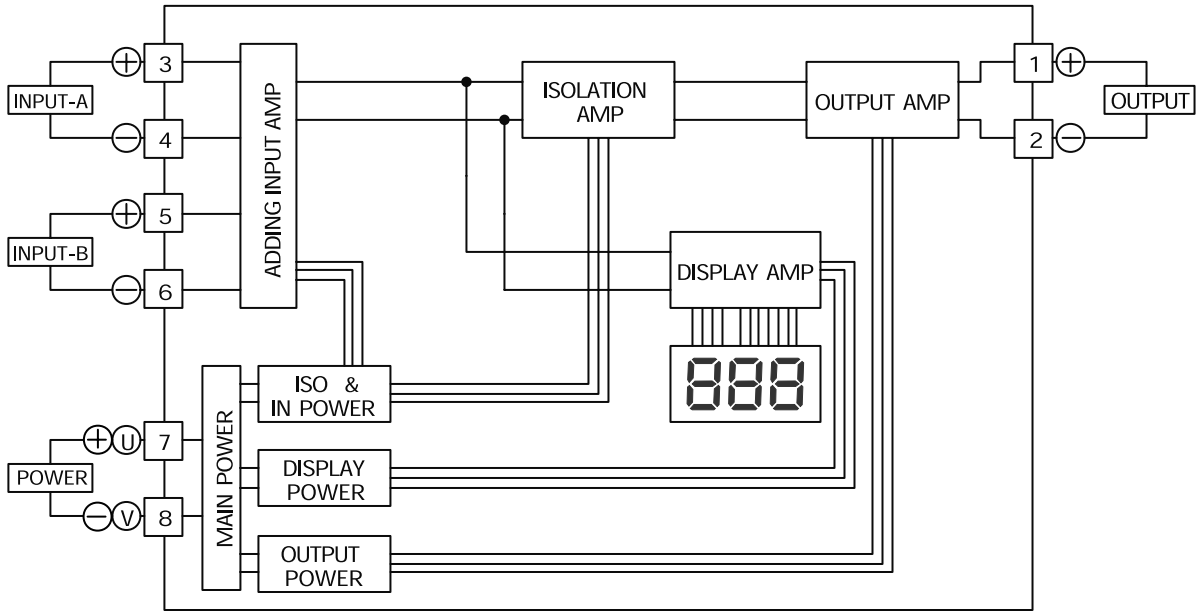


- MODEL
- INPUT SIGNAL - A
 - 1 : 4 - 20mADC
 - 2 : Specify current
 - 3 : 1 - 5VDC
 - 4 : Specify voltage
- INPUT SIGNAL - B
 - 1 : 4 - 20mADC
 - 2 : Specify current
 - 3 : 1 - 5VDC
 - 4 : Specify voltage
- OUTPUT SIGNAL
 - 1 : 0 - 1mADC
 - 2 : 0 - 20mADC
 - 3 : 1 - 5mADC
 - 4 : 4 - 20mADC
 - 5 : 0 - 1VDC
 - 6 : 0 - 5VDC
 - 7 : 1 - 5VDC
 - 8 : 0 - 10VDC
 - 9 : Specify signal
- POWER SUPPLY
 - 1 : 110VAC/50, 60Hz
 - 2 : 220VAC/50, 60Hz
 - 3 : 12VDC/0.4ADC(Option)
 - 4 : 24VDC/0.2ADC(Option)
- DISPLAY SIGNAL
 - 1 : Input signal
 - 2 : Output signal
 - 3 : Percent(%)

DISPLAY & DC ADD SIGNAL ISOLATION CONVERTER

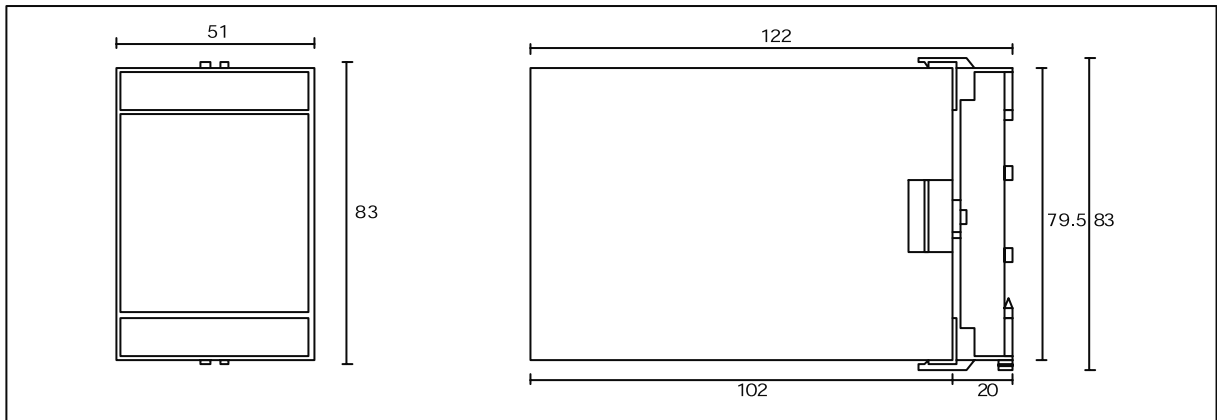
MODEL
MR - ADD

■ BLOCK DIAGRAM & PIN CONNECTION

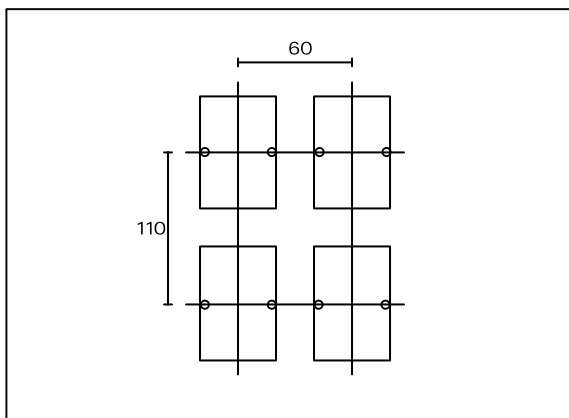


■ EXTERNAL DIMENSION, TERMINAL ARRANGEMENT & MOUNTING SPACE

DIMENSION'S (mm)



MOUNTING SPACE (mm)



SOCKET DIMENSION'S (mm) & TERMINAL ARRANGEMENT

