

MODEL
MR - ADD2 **DISPLAY & DC ADD SIGNAL 2OUTPUT CONVERTER**



This is a converter to output average summed values of both signals by using two types of DC signal as input signal source.

With built-in noise removal filter, transfers correct signal, and precision isolation circuits enable perfect signal transfer not affected by withstand insulation voltage, transfer speed, noise, etc.

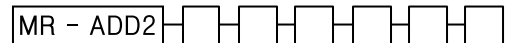
본 변환기는 2종류의 직류신호를 입력원으로 하여 두신호의 가산된 평균값을 출력하는 변환기입니다.

고정밀 ISOLATION 회로를 채용하여 절연내압, 전송속도, NOISE등의 영향없는 완벽한 신호전달을 가능하게 합니다.

■ **DISPLAY (OPTION)**

Type : 3 digit FND
 Display font : red super bright
 Display function : input or output or percent(%)
 Display error : 1digit(LSB).

■ **MODEL & SPECIFICATION CODE**



- MODEL
- INPUT SIGNAL - A
 - 1 : 4 - 20mADC
 - 2 : Specify current
 - 3 : 1 - 5VDC
 - 4 : Specify voltage
- INPUT SIGNAL - B
 - 1 : 4 - 20mADC
 - 2 : Specify current
 - 3 : 1 - 5VDC
 - 4 : Specify voltage
- OUTPUT SIGNAL1
 - 1 : 0 - 1mADC
 - 2 : 0 - 20mADC
 - 3 : 1 - 5mADC
 - 4 : 4 - 20mADC
 - 5 : 0 - 1VDC
 - 6 : 0 - 5VDC
 - 7 : 1 - 5VDC
 - 8 : 0 - 10VDC
 - 9 : Specify signal
- OUTPUT SIGNAL2
 - 1 : 0 - 1mADC
 - 2 : 0 - 20mADC
 - 3 : 1 - 5mADC
 - 4 : 4 - 20mADC
 - 5 : 0 - 1VDC
 - 6 : 0 - 5VDC
 - 7 : 1 - 5VDC
 - 8 : 0 - 10VDC
 - 9 : Specify signal
- POWER SUPPLY
 - 1 : 110VAC/50, 60Hz
 - 2 : 220VAC/50, 60Hz
 - 3 : 12VDC/0.4ADC(Optional)
 - 4 : 24VDC/0.2ADC(Optional)
- DISPLAY SIGNAL
 - 1 : Input signal
 - 2 : Output signal
 - 3 : Percent(%)

■ **FEATURES**

Small size(mm) : 83(H), 51(W), 102(D).
 Isolation : input to output to power supply.
 Power supply : AC or DC supply.
 Wiring : terminal socket wiring.
 Case & color : black ABS plastic case.
 Weight : about 400g

■ **INPUT SIGNAL SPECIFICATION**

Input voltage signal(A or B) : -300 ~ 300VDC.
 Input voltage impedance : 1Mohm min.
 Input current signal(A or B) : 30mADC max.
 Input current resistance : 100ohm max. (at 20mA)

■ **OUTPUT SIGNAL SPECIFICATION**

Output voltage signal : 12VDC max.
 Output voltage impedance : 2Kohm min.
 Output voltage noise : 10mV p-p max.
 Output current signal : 30mADC max.
 Output load resistance : 750ohm max.
 Output current noise(250ohm load) : 10mV p-p.

OUTPUT	IMPEDANCE	OUTPUT	LOAD - R
0 - 1VDC	> 1Kohm	0 - 1mA	< 15Kohm
0 - 5VDC	> 2Kohm	0 - 20mA	< 750ohm
1 - 5VDC	> 2Kohm	1 - 5mA	< 3Kohm
0 - 10VDC	> 4Kohm	4 - 20mA	< 750ohm

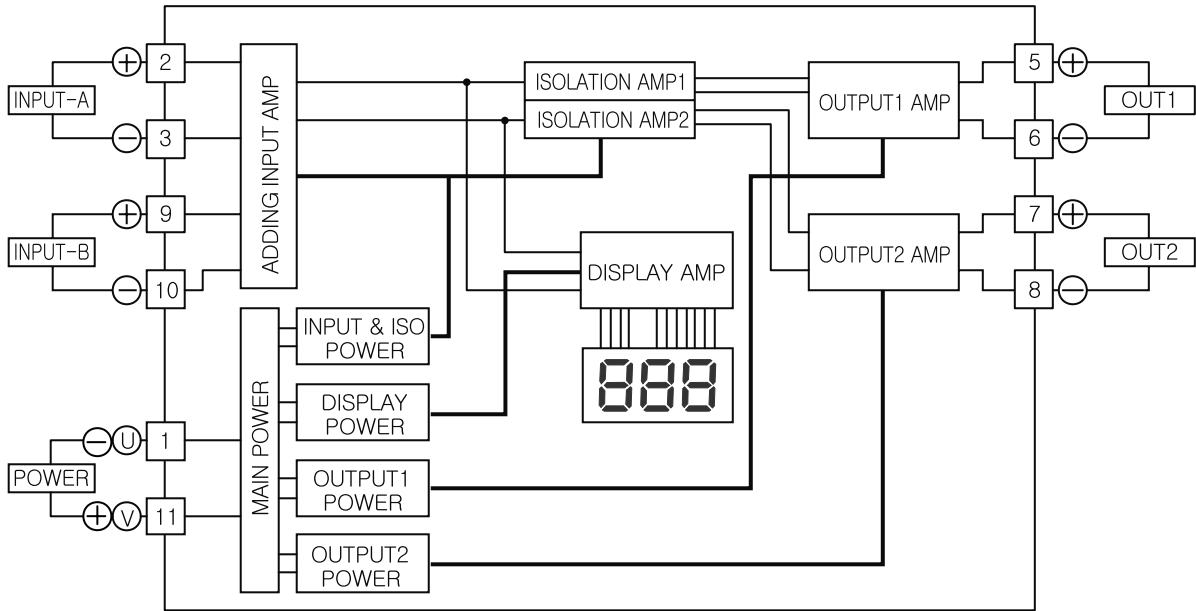
■ **GENERAL SPECIFICATION**

Operating ambient temperature : 0 - 50°C.
 Non operating ambient temperature : -20 ~ 80°C.
 Temperature coefficient : 0.015%/°C.
 Operating ambient humidity : 90% RH max.(non condensing)
 Insulation resistance : greater than 100Mohm with 500VDC.
 Dielectric strength : 1500VAC @ 1minute
 (input to out1 to out2 to power).
 Adjustment range : 20% (zero & span) min.
 Conversion accuracy : 0.15% max.
 Response time : 0 - 90%(0.5sec).

DISPLAY & DC ADD SIGNAL 2OUTPUT CONVERTER

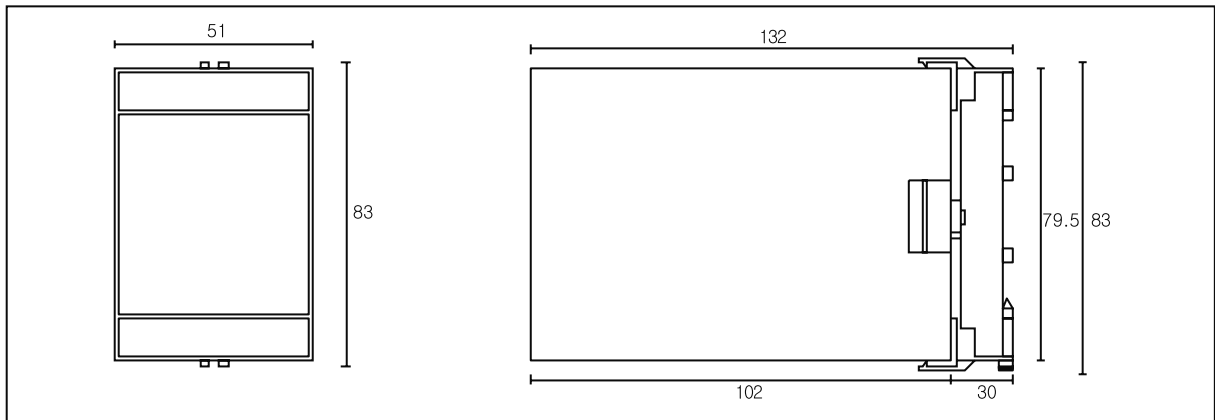
MODEL
MR - ADD2

■ BLOCK DIAGRAM & PIN CONNECTION

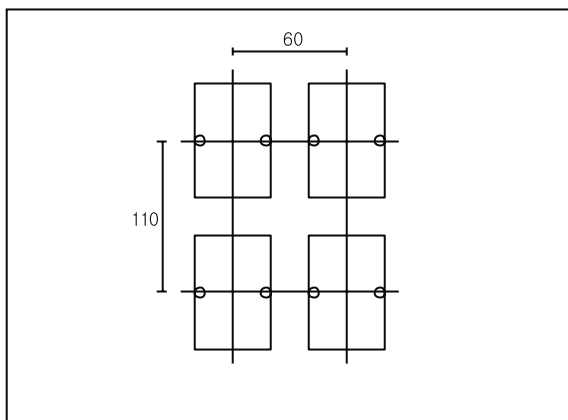


■ EXTERNAL DIMENSION, TERMINAL ARRANGEMENT & MOUNTING SPACE

DIMENSION'S (mm)



MOUNTING SPACE (mm)



SOCKET DIMENSION'S (mm) & TERMINAL ARRANGEMENT

