

MODEL	DISPLAY & AC SIGNAL ISOLATION CONVERTER
MR - ASC	



This is a converter used to convert to DC signal by using input signal source of AC signal. Correct signal transfer without noise is enabled with built-in filter circuits.

본 변환기는 교류신호(AC SIGNAL)를 입력원으로 하여 직류신호로 변환하는 변환기입니다.
NOISE FILTER가 내장되어 있어 정확한 신호전달을 합니다.

FEATURES

Small size(mm) : 83(H), 51(W), 102(D).
Isolation : input to output to power supply.
Power supply : AC or DC supply.
Wiring : terminal socket wiring.
Case & color : black ABS plastic case.
Weight : about 400g

INPUT SIGNAL SPECIFICATION

Input signal : 500Vac or 5Aac max.
Input signal loss : 0.5VA.
Operating range : 0 - 110%.
Permissible over range : 200% 1minute.

OUTPUT SIGNAL SPECIFICATION

Output voltage signal : 12VDC max.
Output voltage impedance : 2Kohm min.
Output voltage noise : 10mV p-p max.
Output current signal : 30mADC max.
Output load resistance : 750ohm max.
Output current noise(250ohm load) : 10mV p-p.

OUTPUT	IMPEDANCE	OUTPUT	LOAD - R
0 - 1VDC	> 1Kohm	0 - 1mA	< 15Kohm
0 - 5VDC	> 2Kohm	0 - 20mA	< 750ohm
1 - 5VDC	> 2Kohm	1 - 5mA	< 3Kohm
0 - 10VDC	> 4Kohm	4 - 20mA	< 750ohm

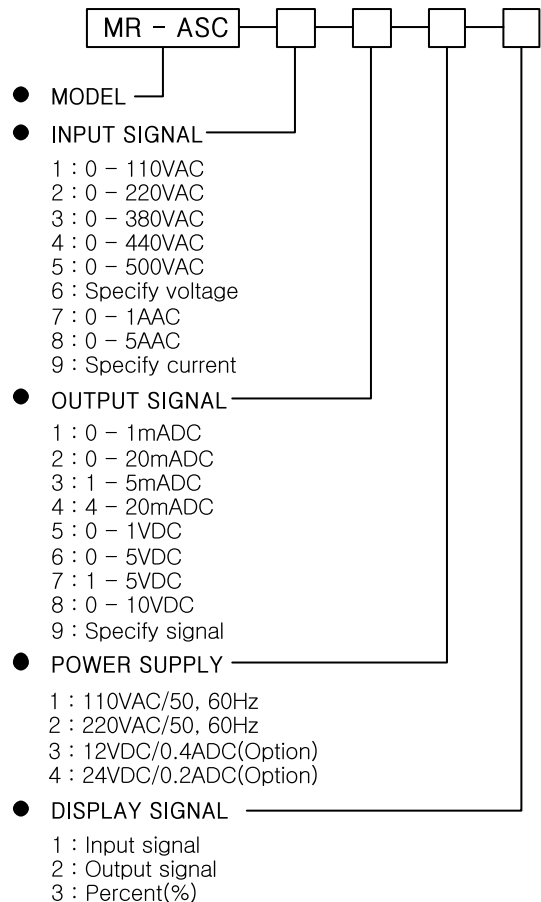
GENERAL SPECIFICATION

Operating ambient temperature : 0 - 50°C.
Non operating ambient temperature : -20 ~ 80°C.
Temperature coefficient : 0.015%/°C.
Operating ambient humidity : 90% RH max.(non condensing)
Insulation resistance : greater than 100Mohm with 500VDC.
Dielectric strength : 1500VAC @ 1minute
(input to output to power).
Adjustment range : 20% (zero & span) min.
Conversion accuracy : 0.15% max.
Response time : 0 - 90%(0.5sec).

DISPLAY (OPTION)

Type : 3 digit FND
Display font : red super bright
Display function : input or output or percent(%).
Display error : 1digit(LSB).

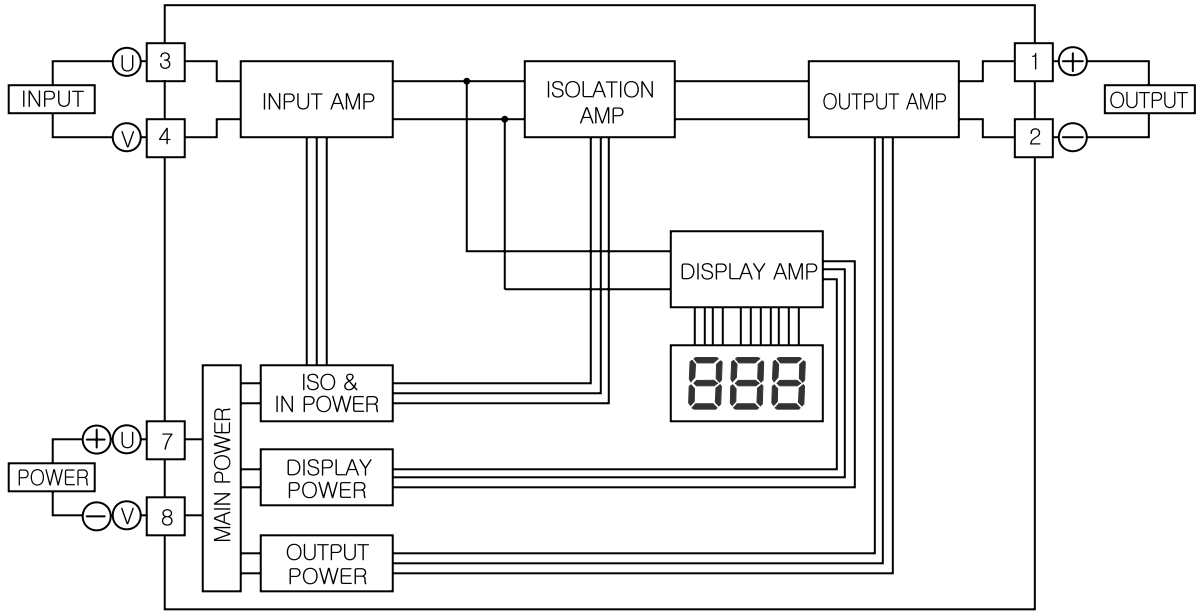
MODEL & SPECIFICATION CODE



DISPLAY & AC SIGNAL ISOLATION CONVERTER

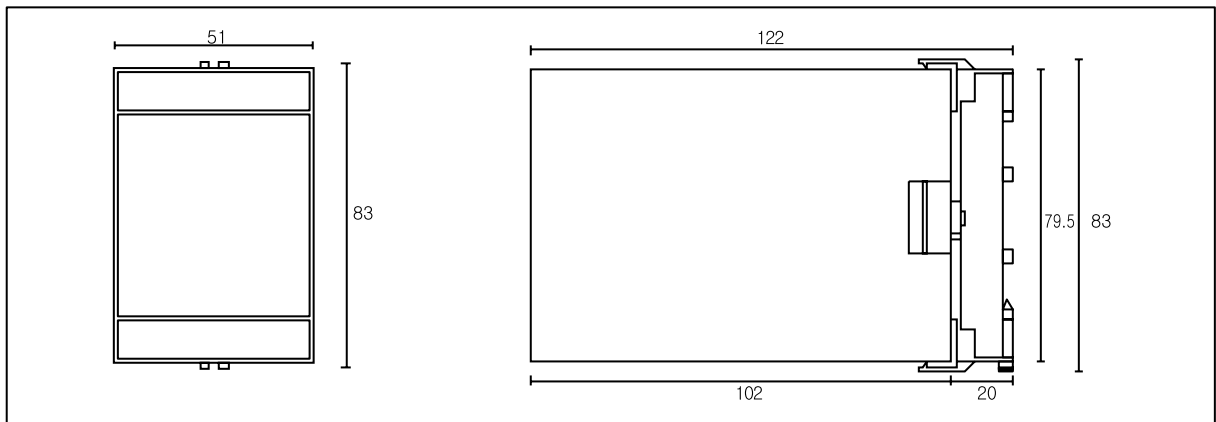
MODEL
MR - ASC

■ BLOCK DIAGRAM & PIN CONNECTION

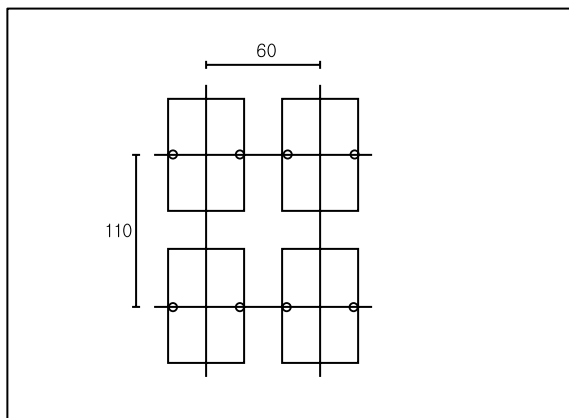


■ EXTERNAL DIMENSION, TERMINAL ARRANGEMENT & MOUNTING SPACE

DIMENSION'S (mm)



MOUNTING SPACE (mm)



SOCKET DIMENSION'S (mm) & TERMINAL ARRANGEMENT

