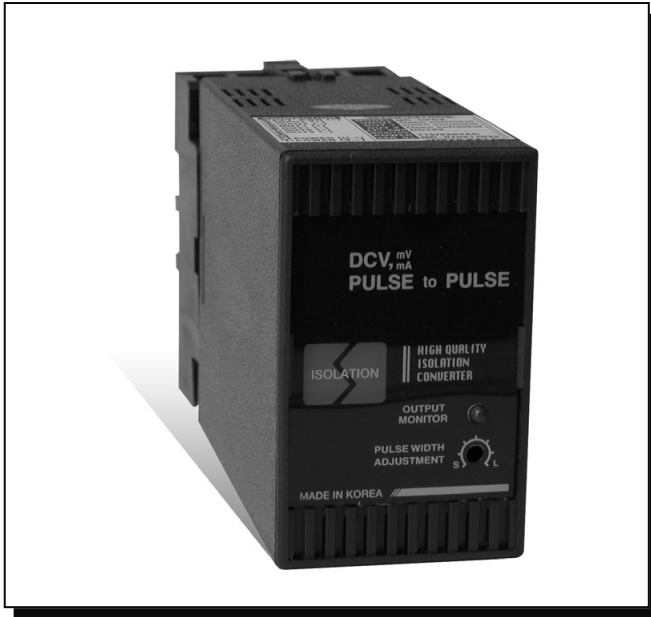


MODEL

MR - CPS2

## PULSE TO PULSE ISOLATION 2OUTPUT SCALER



This is a converter to output unit pulse signal in proportion to inputs by using non-unit pulse signals as input signal source.

본 변환기는 무단위 펄스(PULSE)신호를 입력원으로 하여, 입력에 비례한 단위 펄스 신호를 출력하는 변환기입니다.

### FEATURES

Small size(mm) : 83(H), 51(W), 102(D).  
 Isolation : input to output to power supply.  
 Power supply : AC or DC supply.  
 Wiring : terminal socket wiring.  
 Case & color : black ABS plastic case.  
 Weight : about 400g

### INPUT SIGNAL SPECIFICATION

Input signal : pulse.  
 Input type : voltage pulse, current pulse  
 dry contact pulse, open collector pulse.  
 Input range : 5000Hz max.

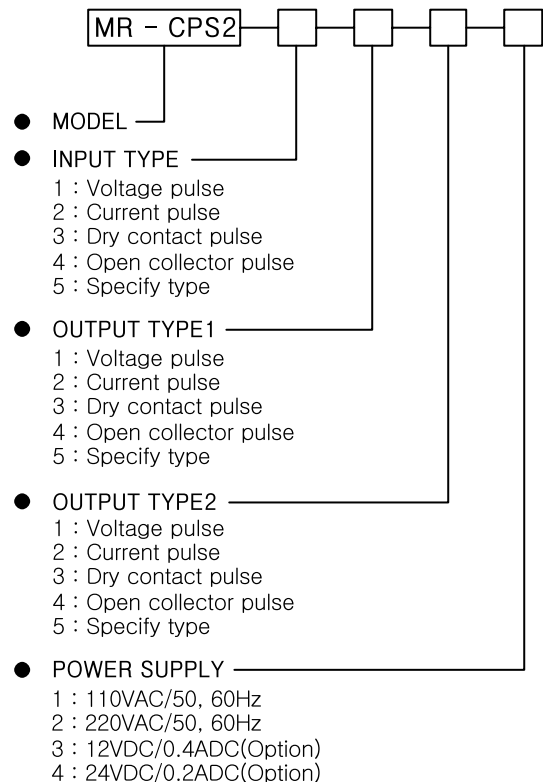
### OUTPUT SIGNAL SPECIFICATION

Output signal : pulse.  
 Output type : voltage pulse, current pulse  
 dry contact pulse, open collector pulse.  
 Output range : 5000Hz max.

### GENERAL SPECIFICATION

Operating ambient temperature : 0 - 50°C.  
 Non operating ambient temperature : -20 ~ 80°C.  
 Temperature coefficient : 0.015%/°C.  
 Operating ambient humidity : 90% RH max.(non condensing)  
 Insulation resistance : greater than 100Mohm with 500VDC.  
 Dielectric strength : 1500VAC @ 1minute  
 (input to out1 to out2 to power).  
 Adjustment range : 20%(zero & span) min.  
 Conversion accuracy : 0.15% max.  
 Response time : 0 - 90%(0.5sec).

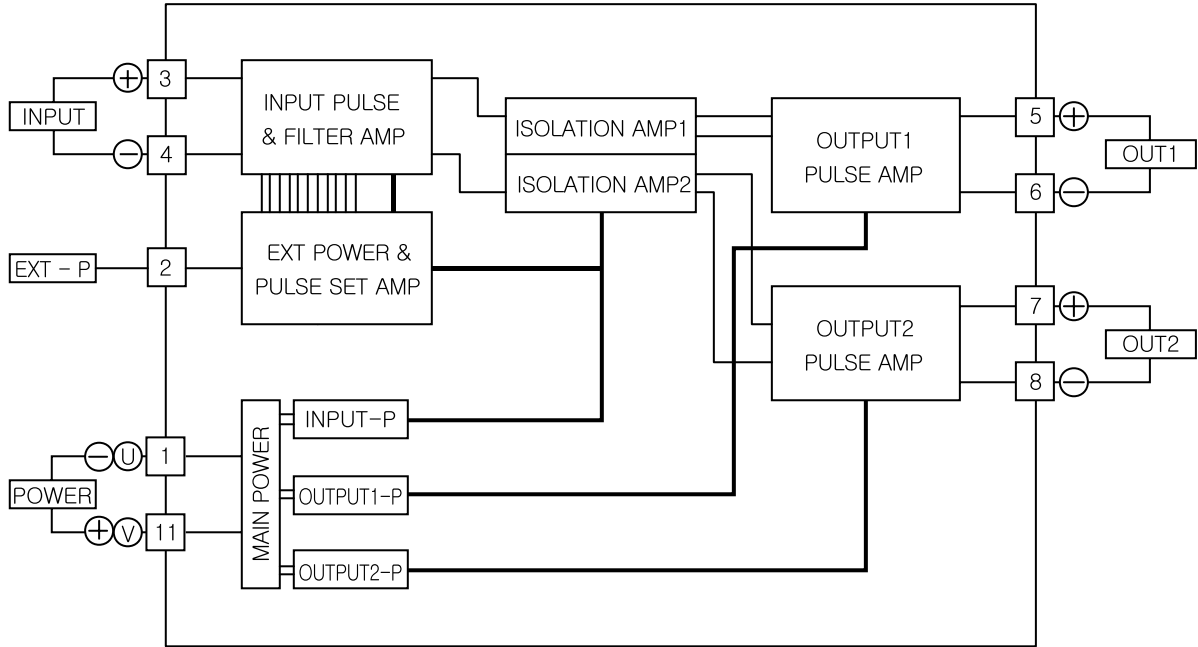
### MODEL & SPECIFICATION CODE



# PULSE TO PULSE ISOLATION 2OUTPUT SCALER

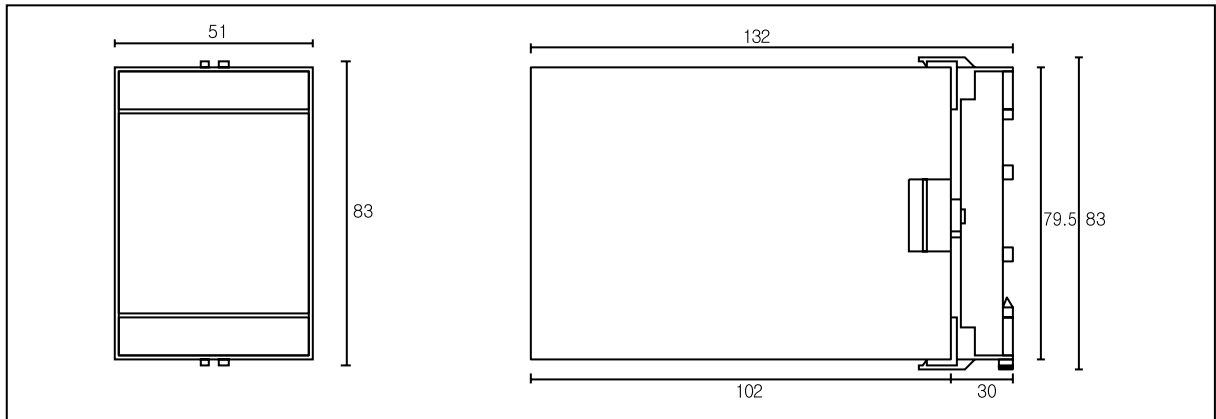
MODEL  
MR - CPS2

## ■ BLOCK DIAGRAM & PIN CONNECTION

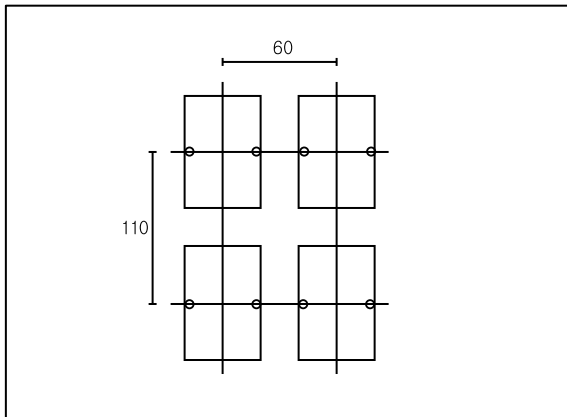


## ■ EXTERNAL DIMENSION, TERMINAL ARRANGEMENT & MOUNTING SPACE

DIMENSION'S (mm)



MOUNTING SPACE (mm)



SOCKET DIMENSION'S (mm) & TERMINAL ARRANGEMENT

