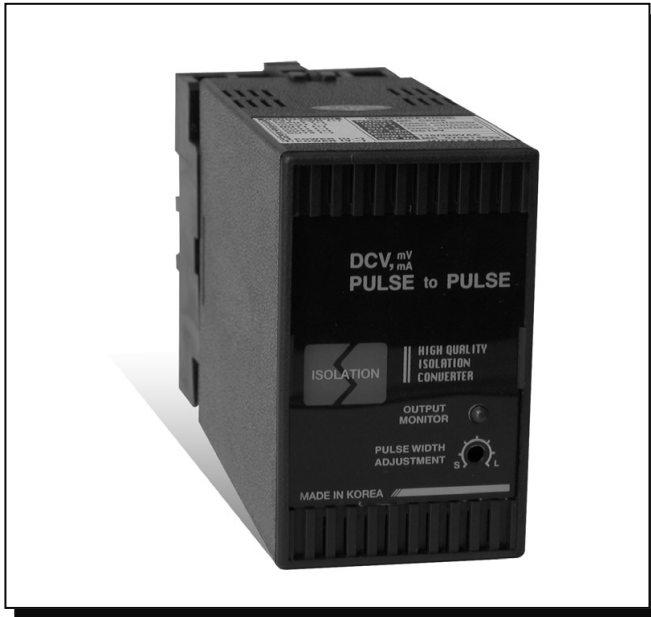


MODEL	DC SIGNAL TO FREQUENCY ISOLATION CONVERTER
MR - DFC	



This is a converter to output pulse or frequency in proportion to inputs after inputting DC signals.

본 변환기는 직류신호를 입력하여 입력에 비례한 PULSE 또는 주파수를 출력하는 변환기입니다.

FEATURES

Small size(mm) : 83(H), 51(W), 102(D).
 Isolation : input to output to power supply.
 Power supply : AC or DC supply.
 Wiring : terminal socket wiring.
 Case & color : black ABS plastic case.
 Weight : about 400g

INPUT SIGNAL SPECIFICATION

Input voltage signal : -300 ~ 300VDC
 Input voltage impedance : 1Mohm min.
 Input current signal : 30mADC max.
 Input current load resistance : 100ohm max. (at 20mA)

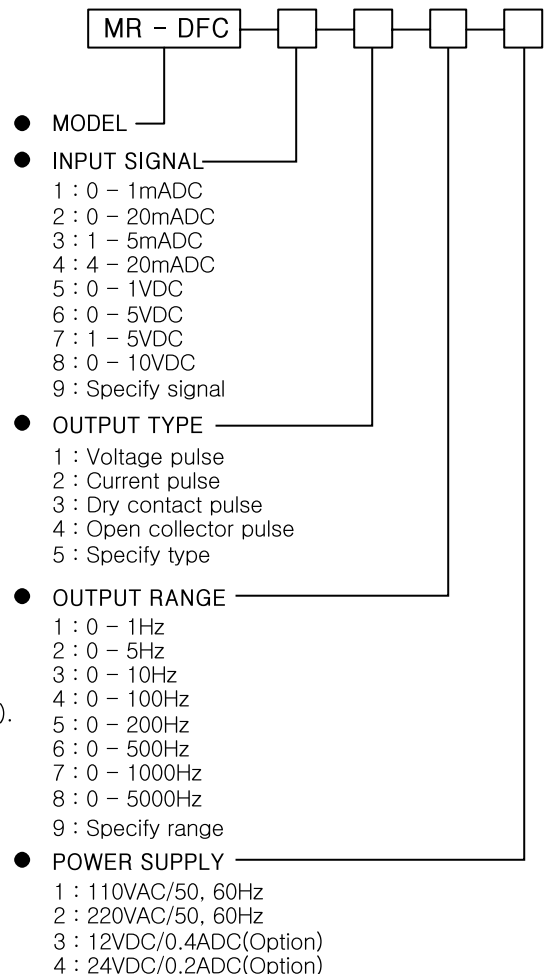
OUTPUT SIGNAL SPECIFICATION

Output signal : frequency(pulse).
 Output type : voltage pulse, current pulse
 dry contact pulse, open collector pulse.
 Output range : 5000Hz max.

GENERAL SPECIFICATION

Operating ambient temperature : 0 ~ 50°C.
 Non operating ambient temperature : -20 ~ 80°C.
 Temperature coefficient : 0.015%/°C.
 Operating ambient humidity : 90% RH max.(non condensing)
 Insulation resistance : greater than 100Mohm with 500VDC.
 Dielectric strength : 1500VAC @ 1minute (input to output to power).
 Adjustment range : 20% (zero & span) min.
 Conversion accuracy : 0.15% max.
 Response time : 0 ~ 90%(0.5sec).
 Linearity : 0.2% max.

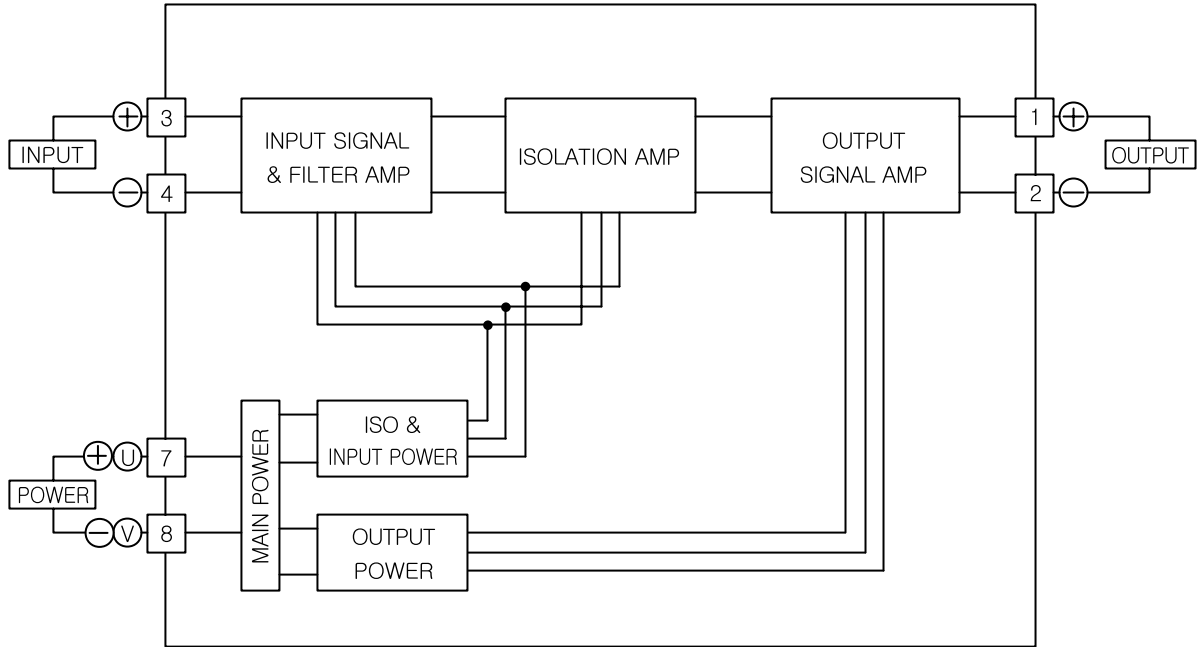
MODEL & SPECIFICATION CODE



DC SIGNAL TO FREQUENCY ISOLATION CONVERTER

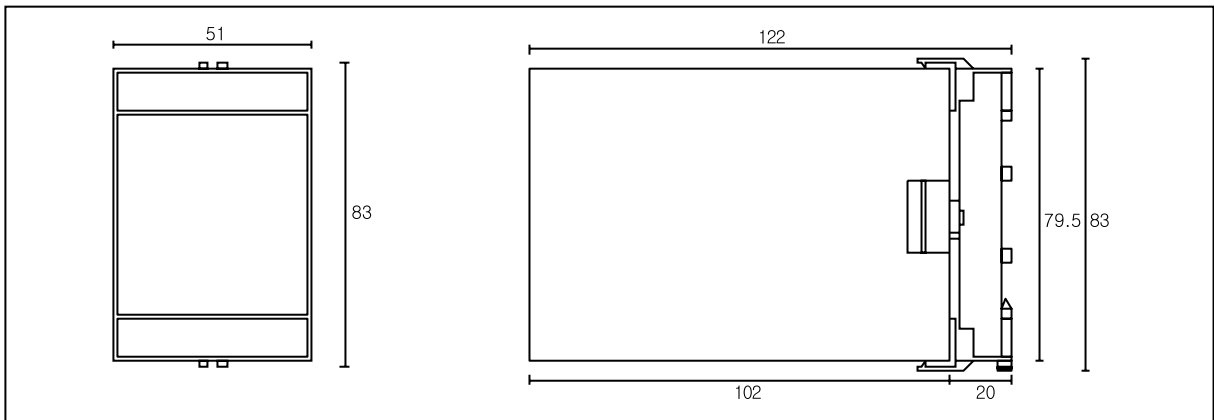
MODEL
MR - DFC

■ BLOCK DIAGRAM & PIN CONNECTION

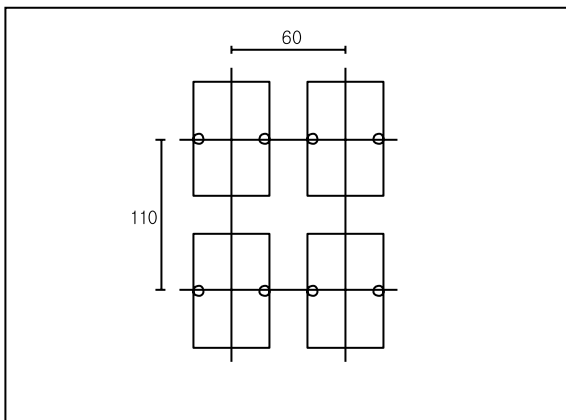


■ EXTERNAL DIMENSION, TERMINAL ARRANGEMENT & MOUNTING SPACE

DIMENSION'S (mm)



MOUNTING SPACE (mm)



SOCKET DIMENSION'S (mm) & TERMINAL ARRANGEMENT

