

MODEL
MR-ISO-H

HIGH SPEED ISOLATION CONVERTER



This is a high speed of converter used for transmitting or converting DC signal.

With built-in noise removal filter, transfers correct signal, and precision isolation circuits enable perfect signal transfer not affected by withstand insulation voltage, transfer speed, noise, etc.

본 변환기는 직류신호를 빠르게 전송 또는 변환하기 위한 목적으로 사용되는 고속형 변환기입니다. NOISE 제거 FILTER를 내장하여 정확한 신호전송을 하며, 정밀 ISOLATION 회로는 절연내압, 속도, NOISE등의 영향없는 완벽한 신호전달을 가능하게 합니다.

FEATURES

Small size(mm) : 83(H), 51(W), 102(D).
Isolation : input to output to power supply.
Power supply : AC or DC supply.
Wiring : terminal socket wiring.
Case & color : black ABS plastic case.
Weight : about 400g

INPUT SIGNAL SPECIFICATION

Input voltage signal : -300 ~ 300 VDC.
Input voltage impedance : 1Mohm min.
Input current signal : 30mADC max.
Input current load resistance : 100ohm max.(at 20mA)

OUTPUT SIGNAL SPECIFICATION

Output voltage signal : 12VDC max.
Output voltage impedance : 2Kohm min.
Output voltage noise : 10mV p-p max.
Output current signal : 30mADC max.
Output load resistance : 750ohm max.
Output current noise(250ohm load) : 10mV p-p.

OUTPUT	IMPEDANCE	OUTPUT	LOAD - R
0 - 1VDC	> 1Kohm	0 - 1mA	< 15Kohm
0 - 5VDC	> 2Kohm	0 - 20mA	< 750ohm
1 - 5VDC	> 2Kohm	1 - 5mA	< 3Kohm
0 - 10VDC	> 4Kohm	4 - 20mA	< 750ohm

GENERAL SPECIFICATION

Operating ambient temperature : 0 - 50°C.
Non operating ambient temperature : -20 ~ 80°C.
Temperature coefficient : 0.015%/°C.
Operating ambient humidity : 90% RH max.(non condensing)
Insulation resistance : greater than 100Mohm with 500VDC.
Dielectric strength : 1500VAC @ 1minute (input/output/power).
Adjustment range : 20% (zero & span) min.
Conversion accuracy : 0.2% max.
Response time : 0 - 90%(1mS).

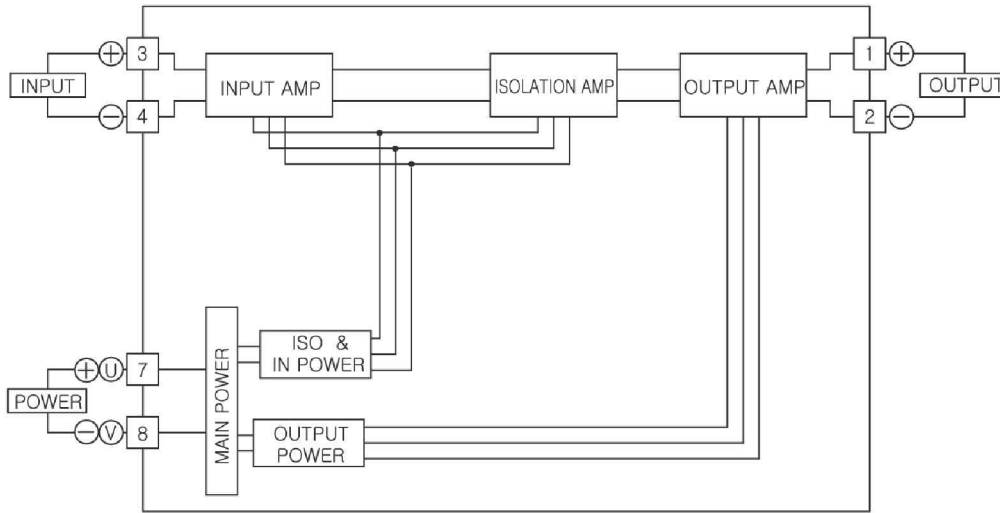
MODEL & SPECIFICATION CODE

MR - ISO - H

- MODEL
- INPUT SIGNAL
 - 1 : 0 - 1mADC
 - 2 : 0 - 20mADC
 - 3 : 1 - 5mADC
 - 4 : 4 - 20mADC
 - 5 : 0 - 1VDC
 - 6 : 0 - 5VDC
 - 7 : 1 - 5VDC
 - 8 : 0 - 10VDC
 - 9 : Specify signal
- OUTPUT SIGNAL
 - 1 : 0 - 1mADC
 - 2 : 0 - 20mADC
 - 3 : 1 - 5mADC
 - 4 : 4 - 20mADC
 - 5 : 0 - 1VDC
 - 6 : 0 - 5VDC
 - 7 : 1 - 5VDC
 - 8 : 0 - 10VDC
 - 9 : Specify signal
- POWER SUPPLY
 - 1 : 110VAC/50, 60Hz
 - 2 : 220VAC/50, 60Hz
 - 3 : 12VDC/0.4ADC(Option)
 - 4 : 24VDC/0.2ADC(Option)

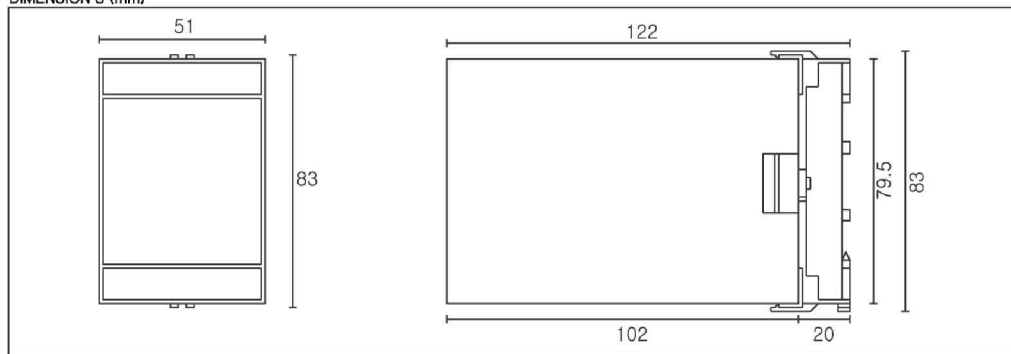
HIGH SPEED ISOLATION CONVERTER MODEL
MR-ISO-H

■ **BLOCK DIAGRAM & PIN CONNECTION**

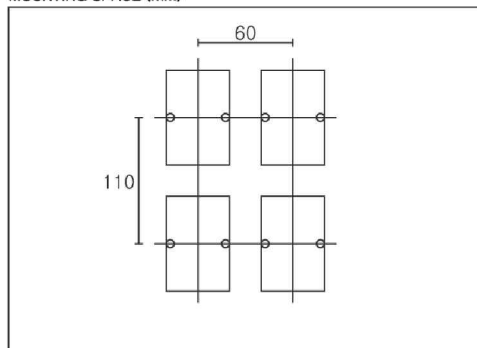


■ **EXTERNAL DIMENSION, TERMINAL ARRANGEMENT & MOUNTING SPACE**

DIMENSION'S (mm)



MOUNTING SPACE (mm)



SOCKET DIMENSION'S (mm) & TERMINAL ARRANGEMENT

