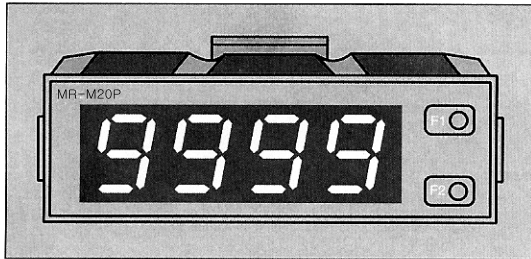


# MOSAIC INDICATOR

MODEL

MR-M20P



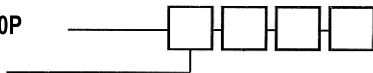
모델 MR-M20P 는 마이크로 프로세서를 탑재한 다  
기능 모자이크 인디게이터입니다. 각종 입력으로  
부터 신호를 받아 입력에 비례한 레인지를 디스  
플레이 하는 판넬메타입니다

## ● MODEL & SUFFIX CODE

MODEL MR-M20P

### ■ Type

A : Standard  
PF : Power Factor  
H : Hz



## ● GENERAL SPECIFICATIONS

Construction : panel mount as locking of case  
Housing materiel : plastic(black)  
Wiring : screw terminals

## ● PERFORMANCE

Accuracy : 0.2% of reading /  $\pm 1$ digit  
Temp.coefficient : 0.02%/°C  
A/D conversion : dual slope integration

## ● INSTALLATION

Operating temperature : -5°C to +55°C  
Operating humidity : 90%RHmax(non-condensing)  
Power supply : DC rating(12-24V),2.5VA

## ● INPUT

DC current range :  $\pm 50$ mADC  
DC voltage range :  $\pm 500$ VDC  
DC voltage minimum span : 5mVDC  
RTD : 2wire or 3wire(-200°C-(+)600°C and others  
Potentiometer : 100ohm-10kohm and others

## DISPLAY

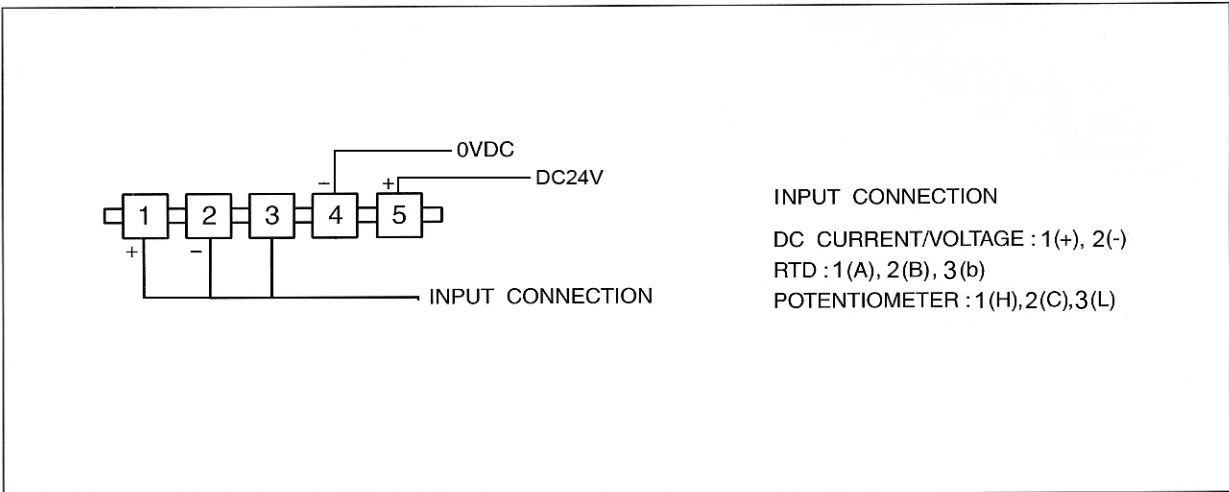
Display color : red(standard) or green  
Number of display : 4digits

# MOSAIC INDICATOR

**MODEL**

MR-M20P

## ● CONNECTION



## ● TERMINAL ASSIGNMENT

