

MODEL
MR - PDC3

POWER DISTRIBUTOR 3OUTPUT CONVERTER



This converter is used to supply power all types of transmitter used at the site and to output insulated signal by receiving the signal.

With built-in noise removal filter, transfers correct signal, and precision isolation circuits enable perfect signal transfer not affected by withstand insulation voltage, transfer speed, noise, etc.

본 변환기는 현장에 사용되는 각종 TRANSMITTER에 전원을 공급하며 그신호를 받아 절연된 신호를 출력하는 목적으로 사용되는 변환기입니다.

NOISE제거 FILTER를 내장하여 정확한 신호전송을 하며, 정밀 ISOLATION회로는 절연내압, 속도, NOISE등의 영향없는 완벽한 신호전달을 가능하게 합니다.

FEATURES

- Small size(mm) : 83(H), 51(W), 102(D).
- Isolation : input to output to power supply.
- Power supply : AC or DC supply.
- Wiring : terminal socket wiring.
- Case & color : black ABS plastic case.
- Weight : about 400g

INPUT SIGNAL SPECIFICATION

- Input current signal : 30mADC max.
- Input current load resistance : 100ohm max.(at 20mA)
- External power source : DC24V/30mA max.

OUTPUT SIGNAL SPECIFICATION

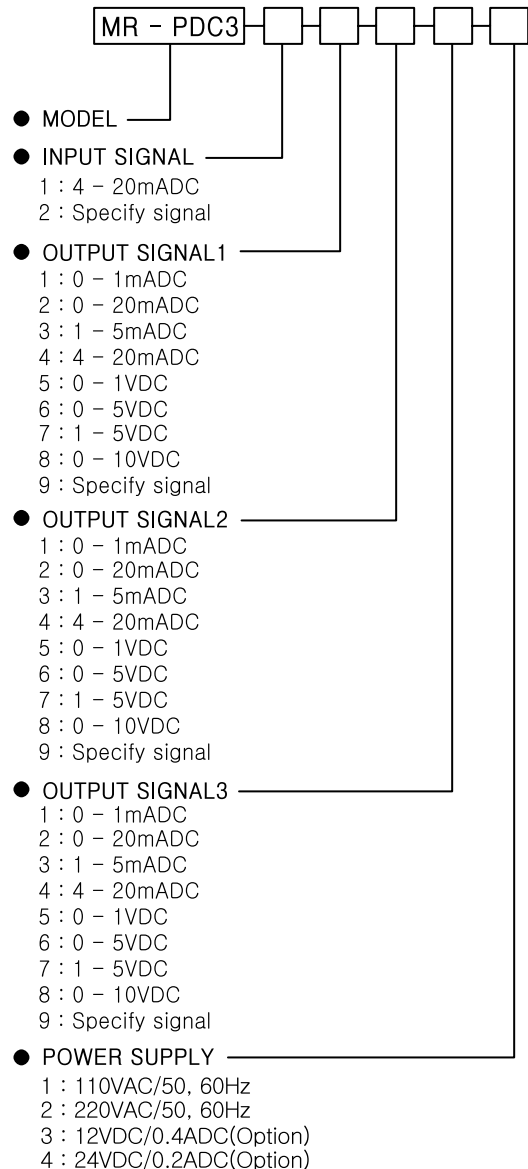
- Output voltage signal : 12VDC max.
- Output voltage impedance : 2Kohm min.
- Output voltage noise : 10mV p-p max.
- Output current signal : 30mADC max.
- Output load resistance : 750ohm max.
- Output current noise(250ohm load) : 10mV p-p.

OUTPUT	IMPEDANCE	OUTPUT	LOAD - R
0 - 1VDC	> 1Kohm	0 - 1mA	< 15Kohm
0 - 5VDC	> 2Kohm	0 - 20mA	< 750ohm
1 - 5VDC	> 2Kohm	1 - 5mA	< 3Kohm
0 - 10VDC	> 4Kohm	4 - 20mA	< 750ohm

GENERAL SPECIFICATION

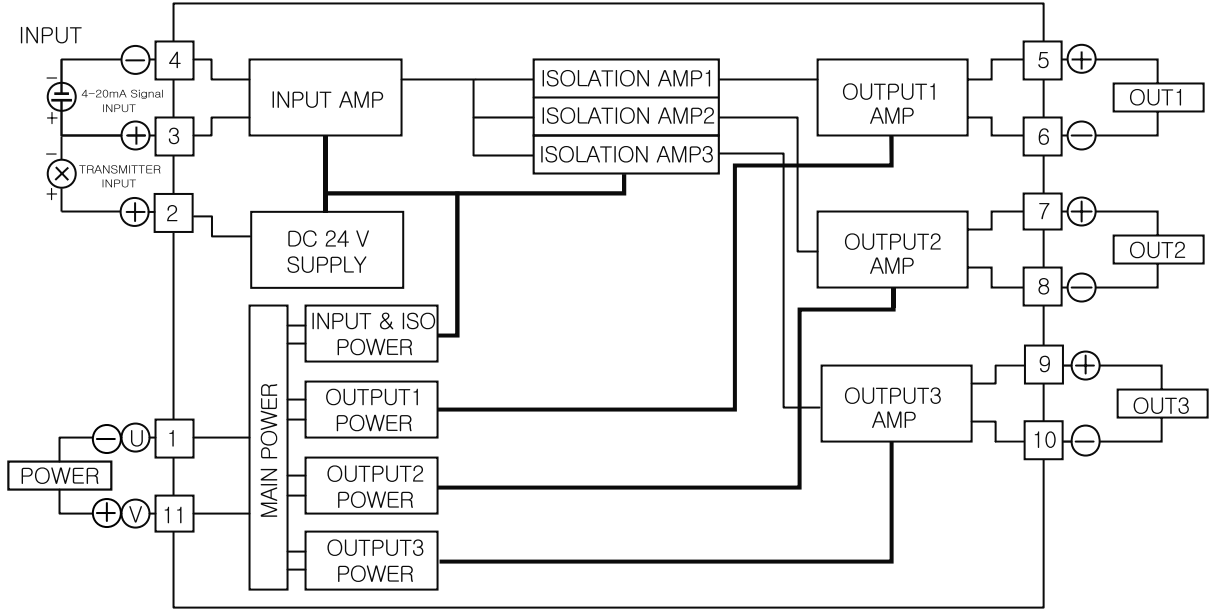
- Operating ambient temperature : 0 - 50°C.
- Non operating ambient temperature : -20 ~ 80°C.
- Temperature coefficient : 0.015%/°C.
- Operating ambient humidity : 90% RH max.(non condensing)
- Insulation resistance : greater than 100Mohm with 500VDC.
- Dielectric strength : 1500VAC @ 1minute
(input/out1/out2/out3/power).
- Adjustment range : 15% (zero & span) min.
- Conversion accuracy : 0.15% max.
- Response time : 0 - 90%(0.5sec).

MODEL & SPECIFICATION CODE



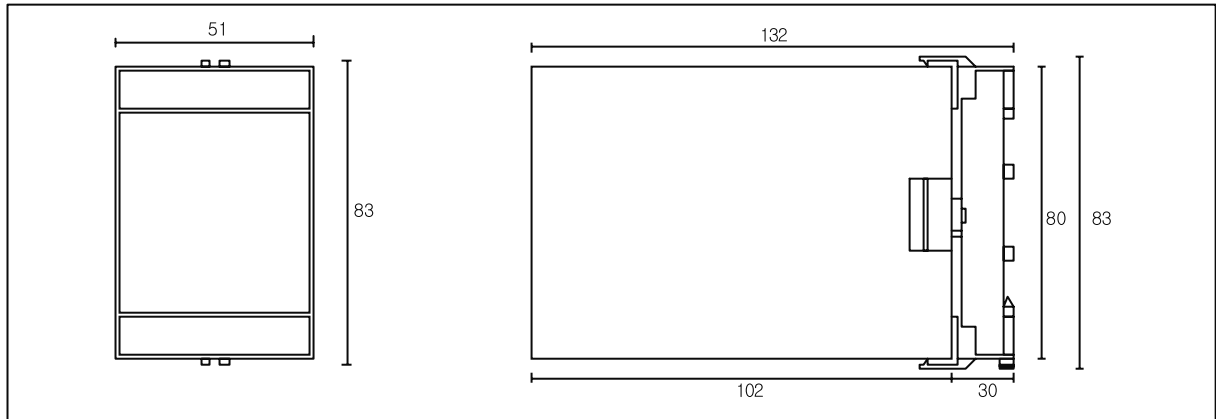
POWER DISTRIBUTOR 3OUTPUT CONVERTER MODEL MR - PDC3

■ BLOCK DIAGRAM & PIN CONNECTION

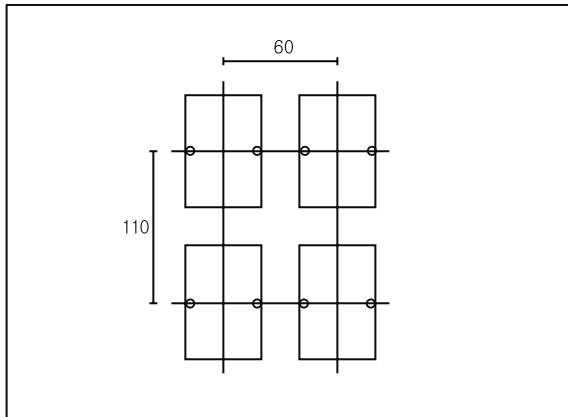


■ EXTERNAL DIMENSION, TERMINAL ARRANGEMENT & MOUNTING SPACE

DIMENSION'S (mm)



MOUNTING SPACE (mm)



SOCKET DIMENSION'S (mm) & TERMINAL ARRANGEMENT

