

<b>MODEL</b> MR - PMC3	<b>POTENTIOMETER 3OUTPUT CONVERTER</b>
---------------------------	--



This is a converter used for converting to DC signal by using input source of a potentiometer.

With built-in noise removal filter, transfers correct signal, and precision isolation circuits enable perfect signal transfer not affected by withstand insulation voltage, transfer speed, noise, etc.

본 변환기는 가변저항기(POTENTIOMETER)를 입력신호원으로 하여, 직류신호로 변환하는 목적으로 사용되는 변환기입니다. 정밀 ISOLATION 회로를 채용, 절연내압, 전달속도, NOISE 등의 영향없는 완벽한 신호변환을 가능하게 합니다.

## FEATURES

Small size(mm) : 83(H), 51(W), 102(D).  
 Isolation : input to output to power supply.  
 Power supply : AC or DC supply.  
 Wiring : terminal socket wiring.  
 Case & color : black ABS plastic case.  
 Weight : about 400g

## INPUT SIGNAL SPECIFICATION

Input type : 2wire or 3wire.  
 Input signal : potentiometer(volume).  
 Input range : 100 ohm ~ 2Mohm  
 EXT power : 5VDC.

## OUTPUT SIGNAL SPECIFICATION

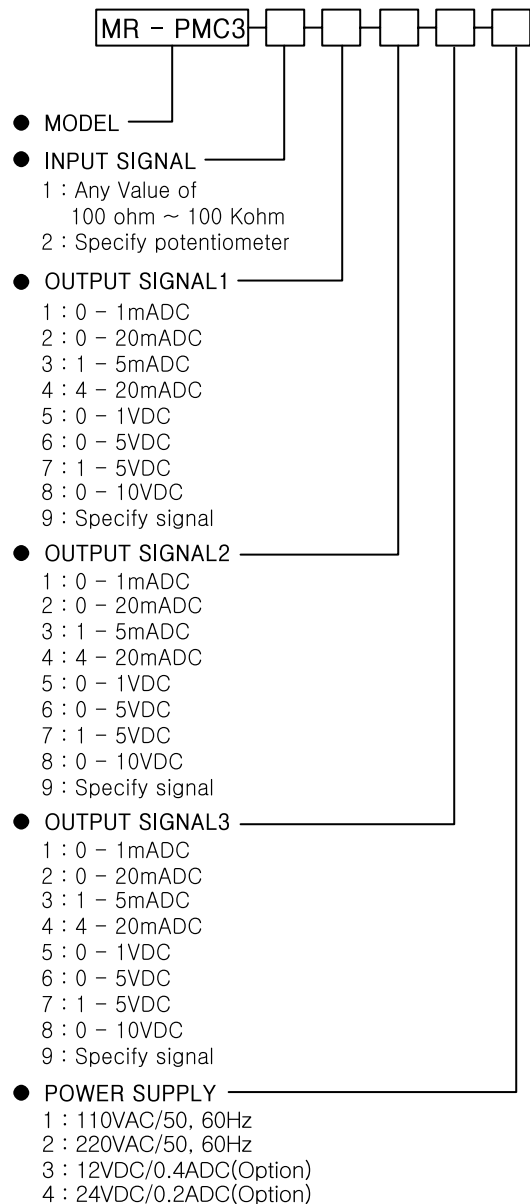
Output voltage signal : 12VDC max.  
 Output voltage impedance : 2Kohm min.  
 Output voltage noise : 10mV p-p max.  
 Output current signal : 30mADC max.  
 Output load resistance : 750ohm max.  
 Output current noise(250ohm load) : 10mV p-p.

OUTPUT	IMPEDANCE	OUTPUT	LOAD - R
0 - 1VDC	> 1Kohm	0 - 1mA	< 15Kohm
0 - 5VDC	> 2Kohm	0 - 20mA	< 750ohm
1 - 5VDC	> 2Kohm	1 - 5mA	< 3Kohm
0 - 10VDC	> 4Kohm	4 - 20mA	< 750ohm

## GENERAL SPECIFICATION

Operating ambient temperature : 0 - 50°C.  
 Non operating ambient temperature : -20 ~ 80°C.  
 Temperature coefficient : 0.015%/°C.  
 Operating ambient humidity : 90% RH max.(non condensing)  
 Insulation resistance : greater than 100Mohm with 500VDC.  
 Dielectric strength : 1500VAC @ 1minute  
 (input/out1/out2/out3/power).  
 Adjustment range : 20% (zero & span) min.  
 Conversion accuracy : 0.15% max.  
 Response time : 0 - 90%(0.5sec).

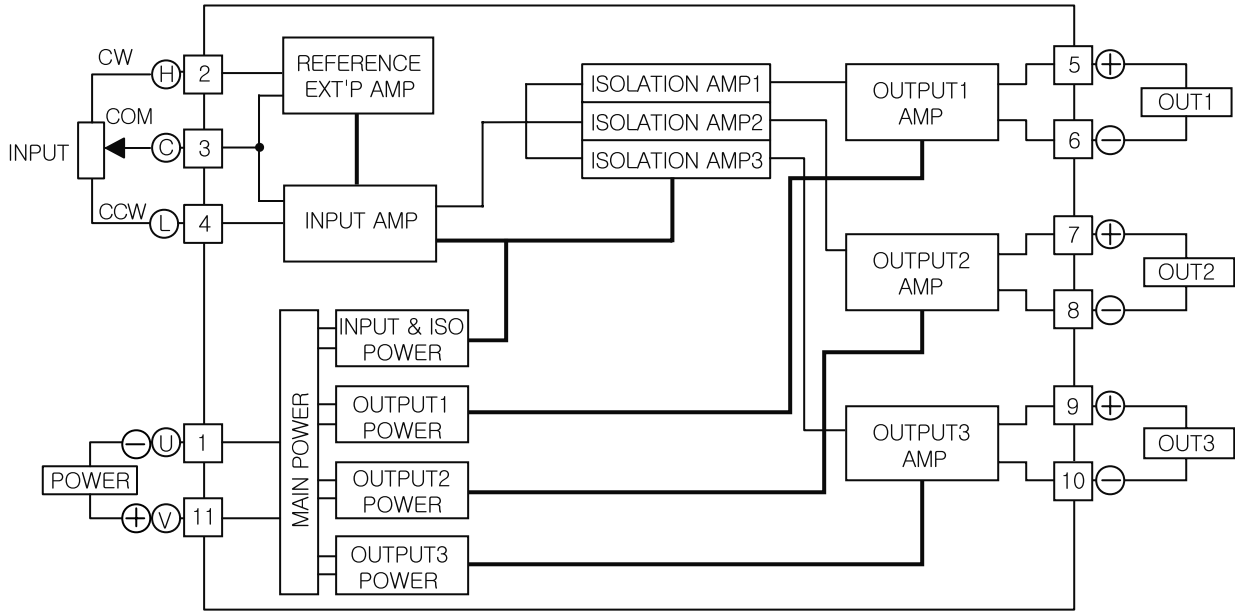
## MODEL & SPECIFICATION CODE



# POTENTIOMETER 3OUTPUT CONVERTER

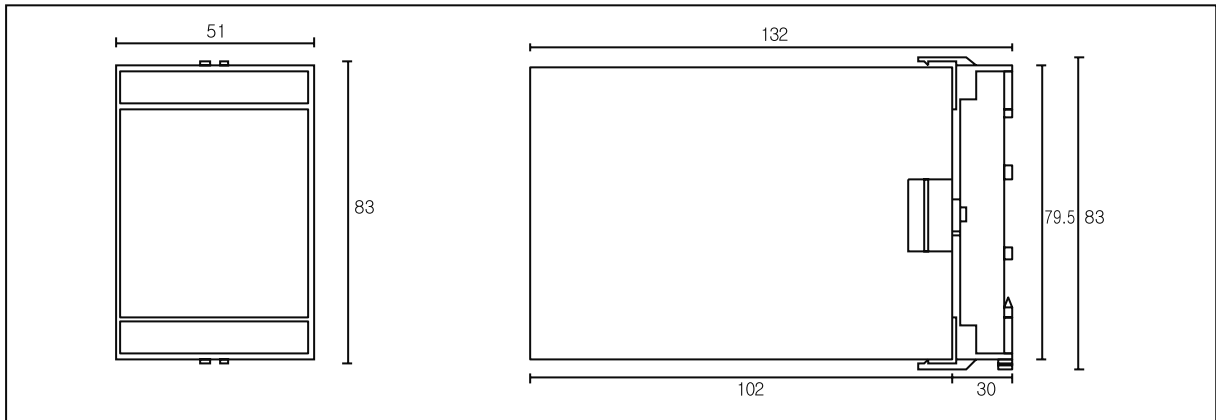
MODEL  
MR - PMC3

## ■ BLOCK DIAGRAM & PIN CONNECTION

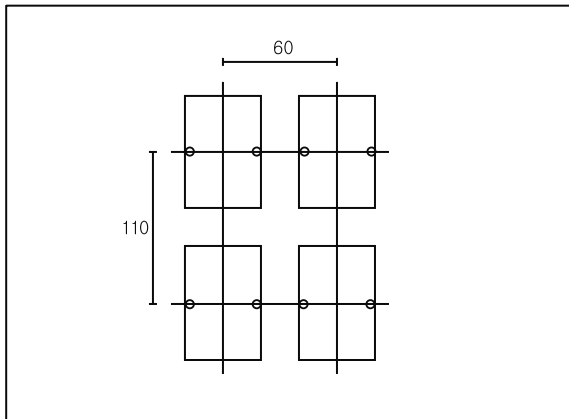


## ■ EXTERNAL DIMENSION, TERMINAL ARRANGEMENT & MOUNTING SPACE

DIMENSION'S (mm)



MOUNTING SPACE (mm)



SOCKET DIMENSION'S (mm) & TERMINAL ARRANGEMENT

