

MODEL

MR - SGD

STRAIN GAUGE ISOLATION CONVERTER



This is a converter used for converting to DC signal by using the load cell as a pressure sensor.

With built-in noise removal filter, transfers correct signal, and precision isolation circuits enable perfect signal transfer not affected by withstand insulation voltage, transfer speed, noise, etc.

본 변환기는 압력SENSOR인 LOAD CELL을 입력신호원으로 하여, 직류신호로 변환 하기 위한 목적으로 사용되는 변환기입니다.

NOISE FILTER가 내장되어 있어 정확한 신호전달을 합니다.

FEATURES

Small size(mm) : 83(H), 51(W), 102(D).
 Isolation : input to output to power supply.
 Power supply : AC or DC supply.
 Wiring : terminal socket wiring.
 Case & color : black ABS plastic case.
 Weight : about 400g

INPUT SIGNAL SPECIFICATION

Input signal : bridge voltage from load cell.
 Input load resistance : bridge resistance ; 350ohm min.
 Input range : 1mV/VDC min.
 EXT Power : 12VDC

OUTPUT SIGNAL SPECIFICATION

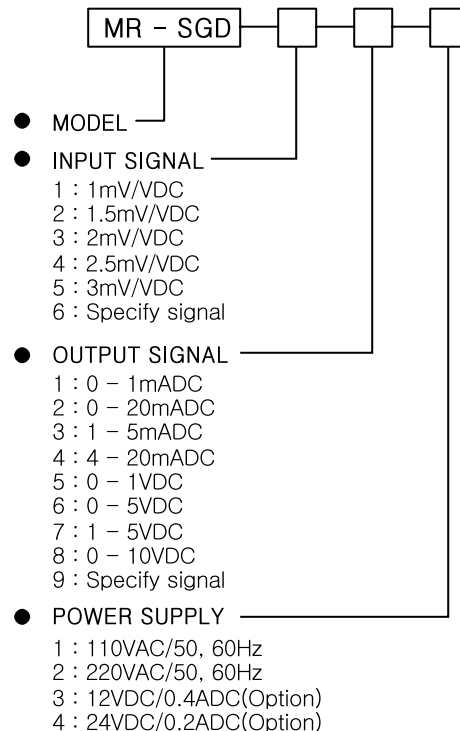
Output voltage signal : 12VDC max.
 Output voltage impedance : 2Kohm min.
 Output voltage noise : 10mV p-p max.
 Output current signal : 30mADC max.
 Output load resistance : 750ohm max.
 Output current noise(250ohm load) : 10mV p-p.

OUTPUT	IMPEDANCE	OUTPUT	LOAD - R
0 - 1VDC	> 1Kohm	0 - 1mA	< 15Kohm
0 - 5VDC	> 2Kohm	0 - 20mA	< 750ohm
1 - 5VDC	> 2Kohm	1 - 5mA	< 3Kohm
0 - 10VDC	> 4Kohm	4 - 20mA	< 750ohm

GENERAL SPECIFICATION

Operating ambient temperature : 0 - 50°C.
 Non operating ambient temperature : -20 ~ 80°C.
 Temperature coefficient : 0.015%/°C.
 Operating ambient humidity : 90% RH max.(non condensing)
 Insulation resistance : greater than 100Mohm with 500VDC.
 Dielectric strength : 1500VAC @ 1minute (input to output to power).
 Adjustment range : 20% (zero & span) min.
 Conversion accuracy : 0.15% max.
 Response time : 0 - 90%(0.5sec).

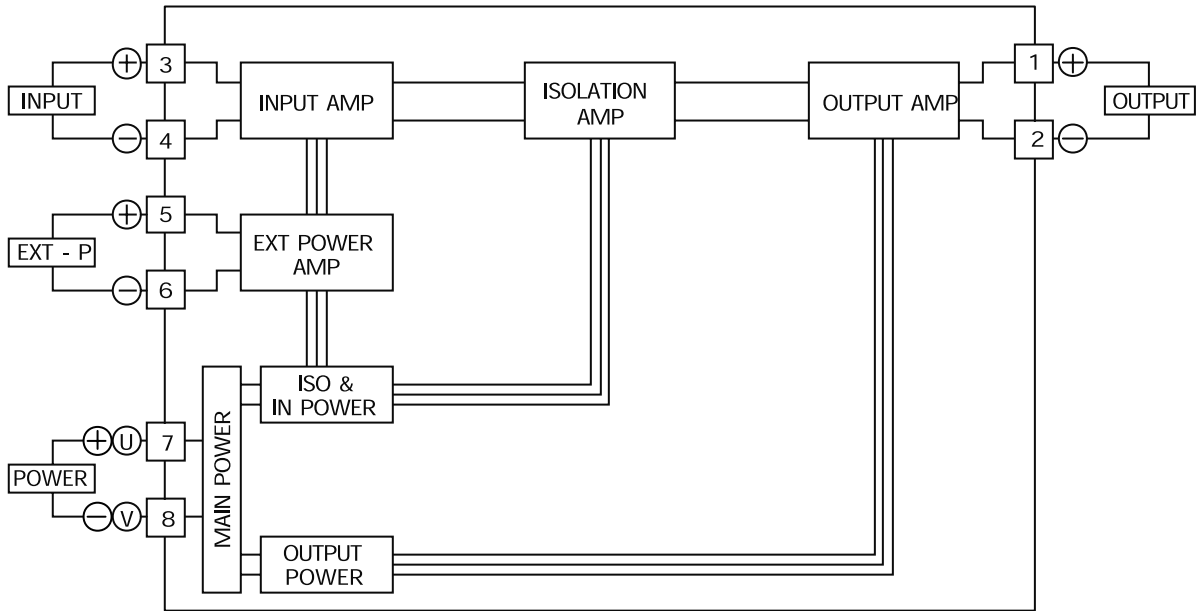
MODEL & SPECIFICATION CODE



STRAIN GAUGE ISOLATION CONVERTER

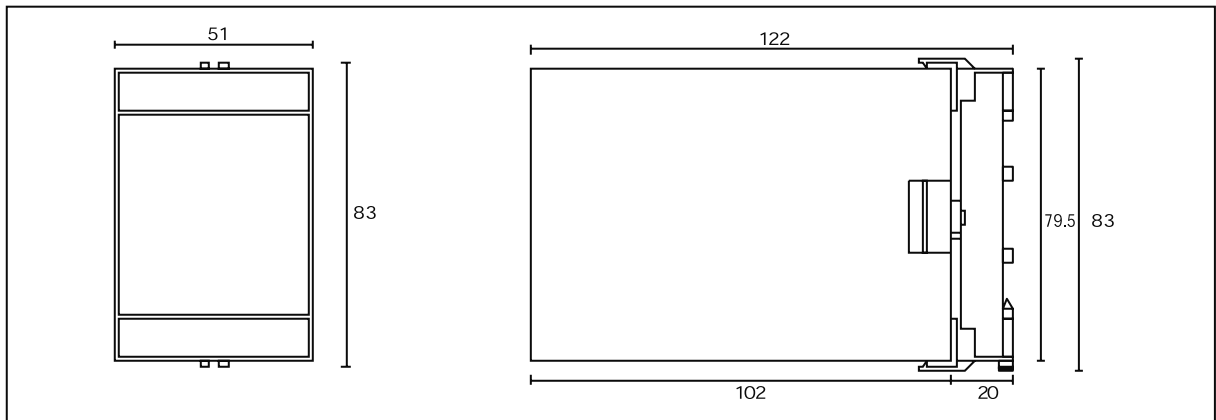
MODEL
MR - SGD

■ BLOCK DIAGRAM & PIN CONNECTION

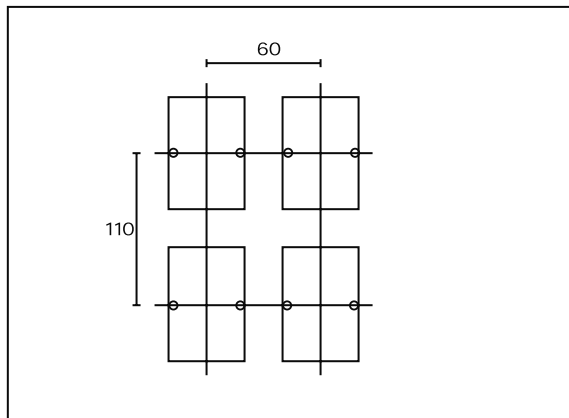


■ EXTERNAL DIMENSION, TERMINAL ARRANGEMENT & MOUNTING SPACE

DIMENSION'S (mm)



MOUNTING SPACE (mm)



SOCKET DIMENSION'S (mm) & TERMINAL ARRANGEMENT

