

MODEL	MULTI POINT INPUT SELECTOR
MR - SS100	



■ GENERAL

As Multi point selector, MIRAE MR-SS100 using microprocessor have excellent function such as Auto/Manual channel skip and channel converting time set and many other functions.
For full application of these functions, please read this manual carefully.

- * Channel skip, channel converting time Auto/Manual change is possible.
- * Easy to operate Key-Board.
- * Easy to construction.
(separate display unit, main controller)

■ DISPLAY

Type : 3 digit LED 7segment digital display.
Display font : red super bright
Display function's : channel, key function

■ FEATURES

DISPLAY / SELECTOR

size(mm) : 96(W), 48(H),100(D).
black abs body
12 select function key.
auto/manual lamp
3 digit display : red color

MAIN CONTROLLER

size : 483(W), 134(H), 174(D) (=128ch)
aluminium black body
1 units : 16 input channel
8 slot mother board
DC5V/1A power supply unit

■ INPUT/OUTPUT SIGNAL SPECIFICATION

INPUT SIGNAL

DC30V / DC50mA max.
RTD
POTENTIOMETER
THERMOCOUPLE

INPUT/OUTPUT RESISTANCE

analog switch : 2.5 ohm max. (2 point)
common : 2.5ohm bead resistor
multi common

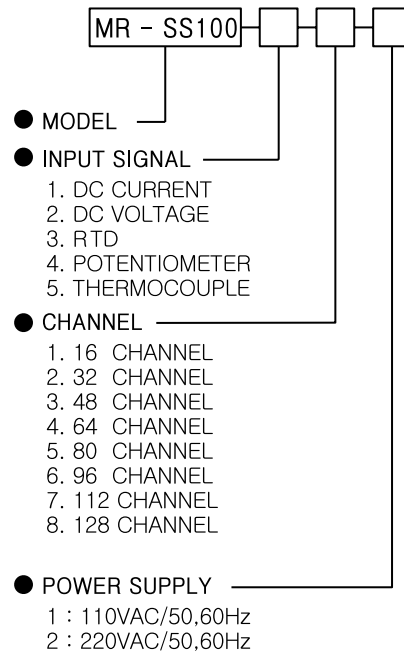
OUTPUT

signal 2point, common 1 point

■ GENERAL SPECIFICATION'S

Operating ambient temperature : 0 - 50°C.
Non operating ambient temperature : -20 ~ 80°C.
Temperature coefficient : 0.015%/°C.
Operating ambient humidity : 90% RH max. (non condensing)
Insulation resistance : greater than 100Mohm with 500VDC.
Dielectric strength : 1500VAC @ 1minute (input,out/power).
Auto change time : 0-5sec.(key adj.)
Conversion accuracy : 0.1% max.
Conversion time : 0.5sec. max.

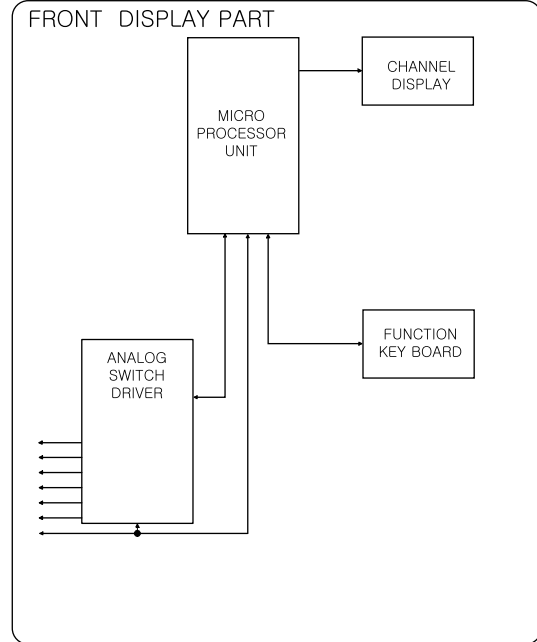
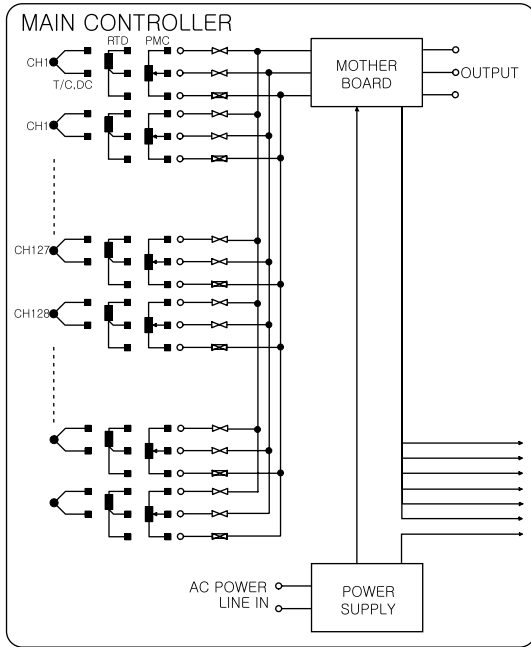
■ MODEL & SPECIFICATION CODE



MULTI POINT INPUT SELECTOR

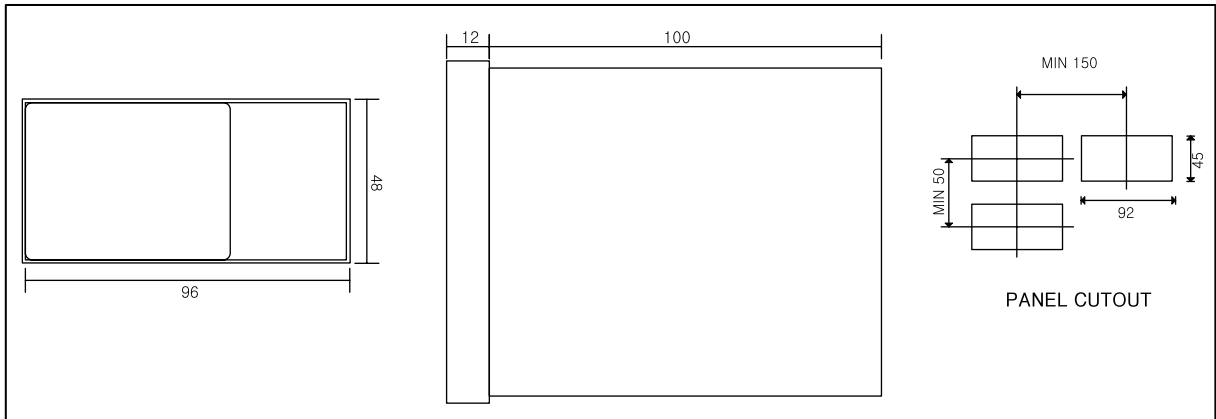
MODEL
MR - SS100

■ **BLOCK DIAGRAM**



■ **EXTERNAL DIMENSION**

DISPLAY PART DIMENSION'S (mm) & PANEL CUTOUT



MAIN CONTROLLER DIMENSION'S (mm) & MOUNT

