

MODEL	SLIM TYPE SIGNAL ISOLATION CONVERTER (2output)
SC-series	



This is a converter used for converting to DC signal by using input source of a DC signal, RTD sensor Potentiometer.

With built-in noise removal filter, transfers correct signal, and precision isolation circuits enable perfect signal transfer not affected by withstand insulation voltage, transfer speed, noise, etc.

본 변환기는 직류신호, 촉온저항체, 가변저항기를 입력으로 하여 이를 절연된 직류신호로 전송, 또는 변환하기 위한 목적으로 사용되는 변환기입니다.

NOISE 제거 FILTER를 내장하여 정확한 신호전송을 하며, 정밀 ISOLATION 회로는 절연내압, 속도, NOISE등의 영향없는 완벽한 신호전달을 가능하게 합니다.

FEATURES

- Small size(mm) : 75(H), 22.5(W), 100(D)
-at on DIN rail.
- Wiring : Terminal wiring.
- Case & color : gray Polyamide UL 94.V2.
- Weight : about 100g.

INPUT SIGNAL SPECIFICATION

- SC-ISO2
Input voltage signal : -300 ~ 300VDC
Input voltage impedance : 1Mohm min.
Input current signal : 30mADC max.
Input current load resistance : 100ohm max.(at 20mA)
- SC-PDC2
Input current signal : 30mADC max.
Input current load resistance : 100ohm max.(at 20mA)
External power source : DC22~26V/30mA Max.
- SC-RTD2
Input type : 2wire or 3wire
Input signal : pt50,100,1000 ohm or Ni,cu.
Input range : -200 ~ 600 °C
EXT current : 1.5mA/5VDC>
- SC-PMC2
Input type : 2wire or 3wire
Input signal : potentiometer
Input range : 100 ohm ~ 2 Mohm.
EXT power : 5VDC

OUTPUT SIGNAL SPECIFICATION

- Output voltage signal : 12VDC max.
- Output voltage impedance : 2Kohm min.
- Output voltage noise : 10mV p-p max.
- Output current signal : 30mADC max.
- Output load resistance : 750ohm max.
- Output current noise(250ohm load) : 10mV p-p.

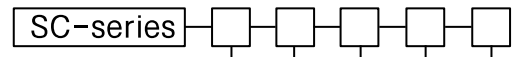
POWER SUPPLY SPECIFICATION

- Power source : DC voltage.
- Power range : DC24V/200mA max.

GENERAL SPECIFICATION

- Operating ambient temperature : 0 - 50°C.
- Non operating ambient temperature : -20 ~ 80°C.
- Temperature coefficient : 0.02%/°C
- Operating ambient humidity : 90% RH max.(non condensing)
- Insulation resistance : greater than 100Mohm with 500VDC.
- Dielectric strength : 1500VAC @ 1minute
(input to out1 to out2 to power).
- Adjustment range : 20% (zero & span) min.
- Conversion accuracy : 0.15% max.
- Response time : 0 - 90%(0.5sec).

MODEL & SPECIFICATION CODE

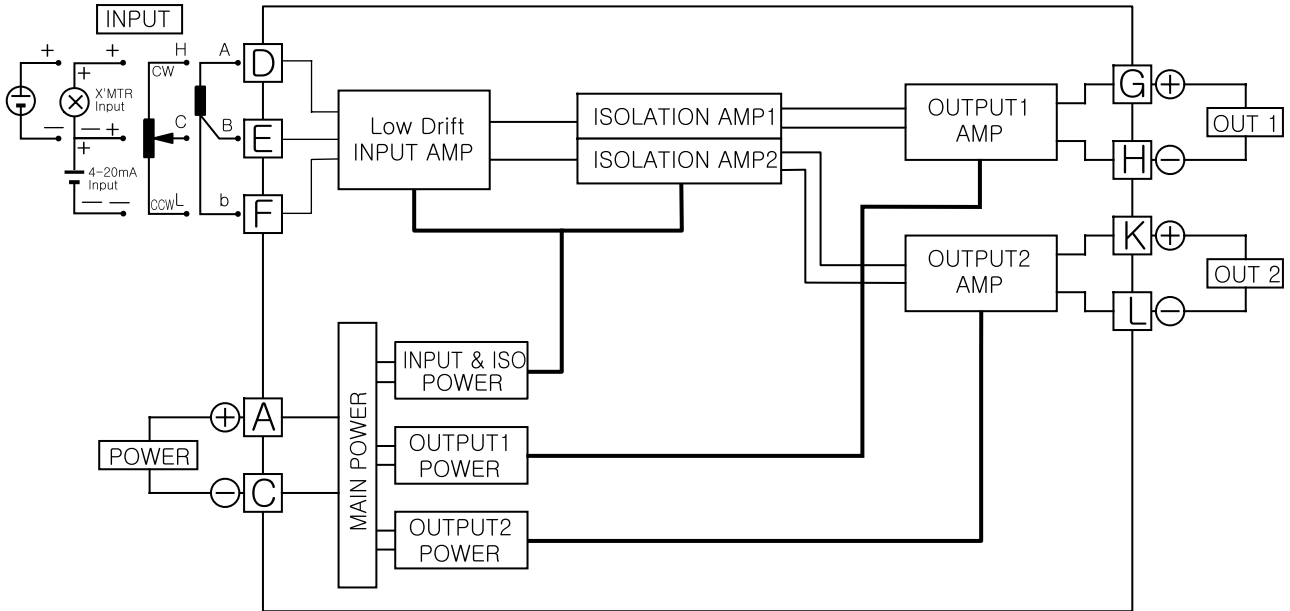


- MODEL
 - 1 : ISO2 (Isolator)
 - 2 : PDC2 (Distributor)
 - 3 : RTD2 (Temperature)
 - 4 : PMC2 (Potentiometer)
- INPUT SIGNAL
 - 1 : 0 - 1mADC (ISO)
 - 2 : 4 - 20mADC (ISO)
 - 3 : 1 - 5VDC (ISO)
 - 4 : 0 - 10VDC (ISO)
 - 5 : 4 - 20mADC/24V(PDC)
 - 6 : 0-50°C (RTD)
 - 7 : 0-100°C (RTD)
 - 8 : 0-150°C (RTD)
 - 9 : 0-135 ohm (PMC)
 - 10 : 0-1 Kohm (PMC)
 - 11 : 0-10 Kohm (PMC)
 - 12 : Specify signal
- OUTPUT SIGNAL1
 - 1 : 4 - 20mADC
 - 2 : 0 - 20mADC
 - 3 : 1 - 5VDC
 - 4 : 0 - 10VDC
 - 5 : Specify signal
- OUTPUT SIGNAL2
 - 1 : 4 - 20mADC
 - 2 : 0 - 20mADC
 - 3 : 1 - 5VDC
 - 4 : 0 - 10VDC
 - 5 : Specify signal
- POWER SUPPLY
 - 1 : 24VDC/200mADC

SLIM TYPE SIGNAL ISOLATION CONVERTER (2output)

MODEL
SC-series

■ BLOCK DIAGRAM & PIN CONNECTION



■ EXTERNAL DIMENSION

DIMENSION'S (mm)

