

MODEL  
SC-WXT

## 2WIRE LOOP ISOLATION TRANSMITTER



The SC-WXT accepts standard and non-standard process signal and provides a proportional D.C output.

Great linearity and little ripple.

본 변환기는 직류신호, 축온저항체, 가변저항기를 입력하여 직류신호를 출력하는 2선식 변환기입니다.  
NOISE제거 FILTER를 내장하여 정확한 신호전송을 합니다.

### FEATURES

Small size(mm) : 75(H), 22.5(W), 110(D)- at on DIN rail.  
Wiring : terminal wiring.  
Case & color : gray color & Polyamide UL94. V2.  
Weight : about 100g

### INPUT SIGNAL SPECIFICATION

SC-WDT  
Input voltage signal : -300 ~ 300VDC.  
Input voltage impedance : 1Mohm min.  
Input current signal : 30mADC max.  
Input current load resistance : 100ohm max(at 20mA).

SC-WPT  
Input type : 2wire or 3wire .  
Input signal : potentiometer.  
Input range : 100ohm ~ 2Mohm.  
EXT power : 5VDC>

SC-WRT  
Input type : 2wire or 3,4wire RTD.  
Input signal : Pt50,100,1000ohm or Ni,cu.  
Input range : -200 ~ 600°C.  
EXT current : 1.5mA> /5VDC>

### OUTPUT SIGNAL SPECIFICATION

Output signal : DC current.  
Output range : 20mA/DC max.  
Load resistance : 750ohm with 24V/DC source.  
Order specify : 4mA/DC min

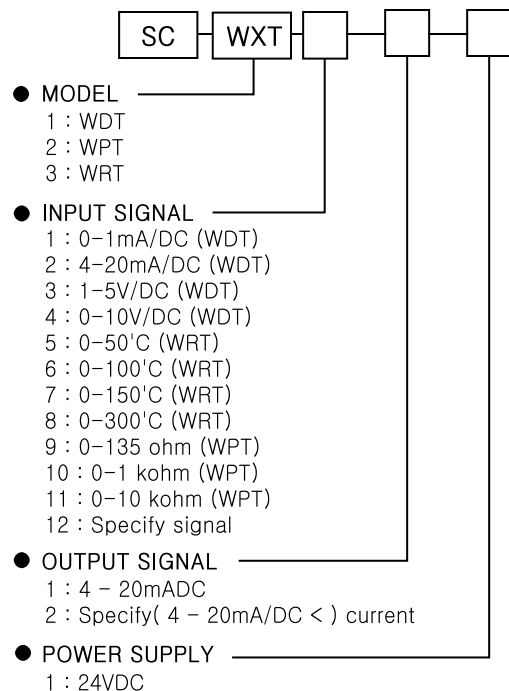
### POWER SUPPLY SPECIFICATION

Power source : DC voltage.  
Power range : 15 - 30VDC/30mA with 24VDC supply.  
Noise range : 20mVp-p.

### GENERAL SPECIFICATION

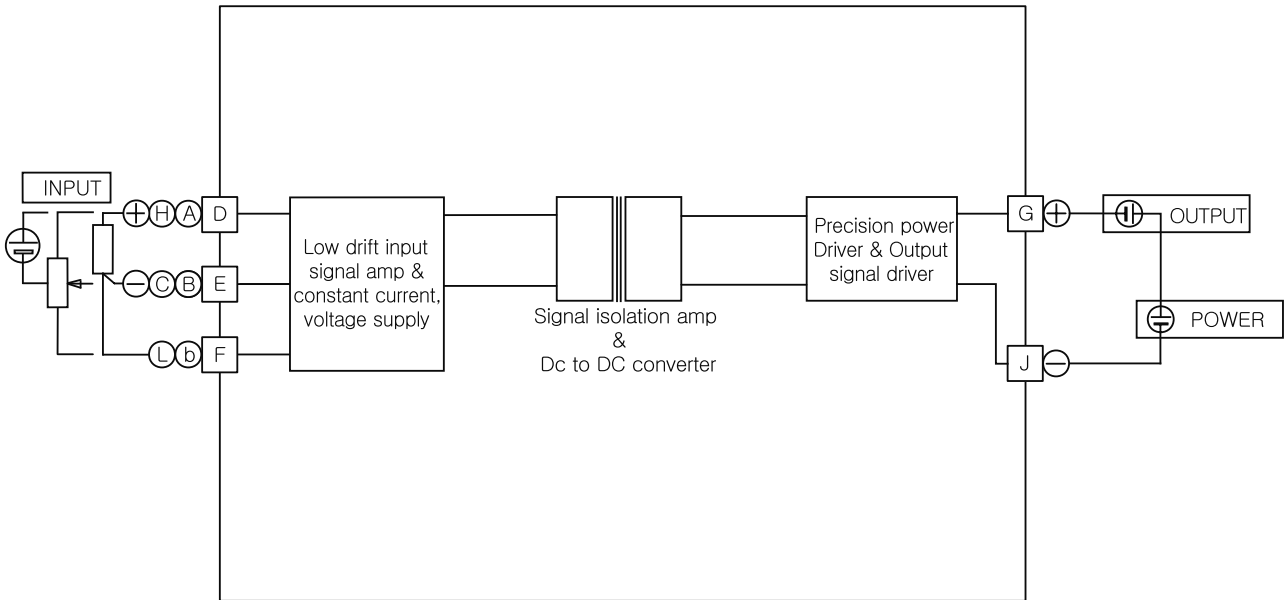
Operating ambient temperature : 0 - 50°C.  
Non operating ambient temperature : -20 ~ 80°C.  
Temperature coefficient : 0.02%/°C.  
Operating ambient humidity : 90% RH max(non condensing).  
Insulation resistance : greater than 100Mohm with 500VDC.  
Dielectric strength : 1500VAC @1minute(input or output to case).  
Adjustment range : 20% (zero & span)min.  
Conversion accuracy : 0.2% max.  
Response time : 0 ~ 90%(0.5 sec).  
Burnout circuitry : down scale(standard).

### MODEL & SPECIFICATION CODE



<b>2WIRE LOOP ISOLATION TRANSMITTER</b>	<b>MODEL</b> SC-WXT
---	------------------------

■ BLOCK DIAGRAM & PIN CONNECTION



■ EXTERNAL DIMENSION

